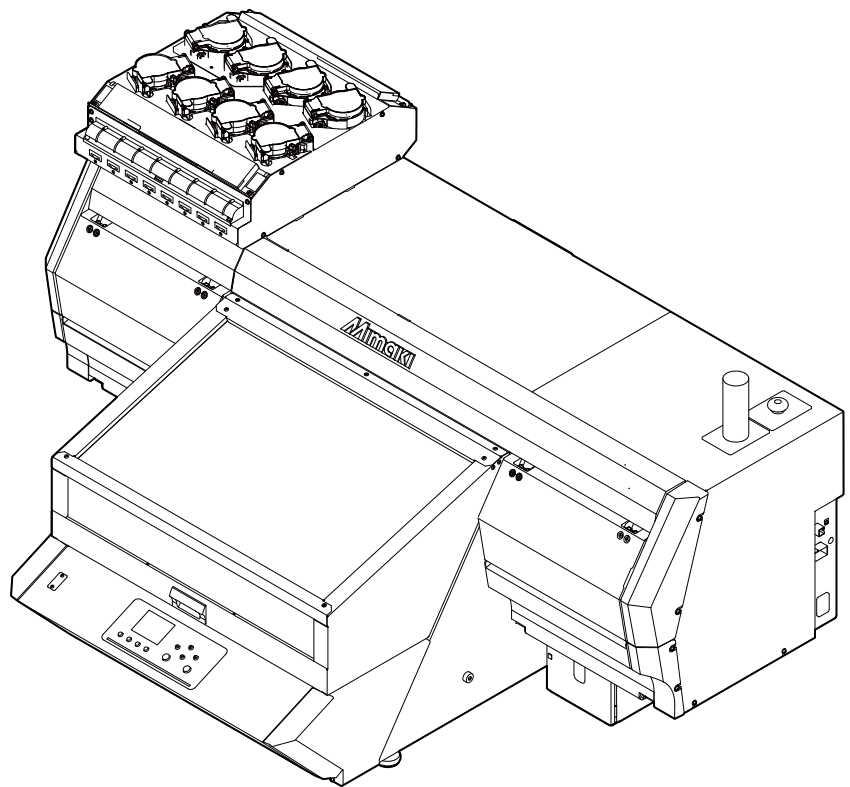


**OPERATION MANUAL**

**UV INKJET PRINTER**

***UJF-3042 MkII Series***

***UJF-6042 MkII Series***



**MIMAKI ENGINEERING CO., LTD.**

<https://mimaki.com/>

# Table of contents

CAUTION .....	v
DISCLAIMER OF WARRANTY .....	v
Requests .....	v
FCC Statement (USA) .....	v
Interference to televisions and radios .....	v
CDRH REGULATION .....	v
Foreword .....	vi
On this operation manual .....	vi
For safe operation .....	vi
Symbols .....	vi
Safety interlock .....	xi
Position of the warning label .....	xii

## Chapter 1 Before Use

Installing the machine .....	1-2
Where to install the machine .....	1-2
Moving this machine.....	1-2
Configuration and Function .....	1-3
Front.....	1-3
Rear.....	1-4
Carriage.....	1-4
EMERGENCY SWITCH .....	1-4
Indicator light unit .....	1-5
Operation Panel .....	1-6
About table .....	1-8
About tap position.....	1-8
Instructions for using the table .....	1-10
Connecting the cables .....	1-10
Connecting the USB2.0 interface cable .....	1-10
Connecting the LAN cable.....	1-11
Connecting the power cable.....	1-11
About ink bottle .....	1-12
Kinds of ink that can be used .....	1-12
Caution in handling of ink bottles .....	1-12
Setting ink bottles .....	1-13
About Media .....	1-17
The sizes of media that can be used.....	1-17
Precautions in handling the media .....	1-17
Menu mode .....	1-18

## Chapter 2 Basic Operations

Operation flow .....	2-2
Turning the Power ON/OFF .....	2-3
Turning the Power ON.....	2-3
Turning the Power OFF.....	2-3
Setting the media .....	2-4
Set the media in another method .....	2-6

Test printing .....	2-7
Perform test printing with the test pattern for checking white ink .....	2-8
Head Cleaning .....	2-8
About head cleaning .....	2-8
Perform head cleaning depending on the test printing result .....	2-8
Printing an image from source data .....	2-9
Starting the printing operation .....	2-9
Interruption of printing .....	2-9
Checking printing data that is being received or has been received .....	2-10
When [! WORK High] is displayed .....	2-10
If you open the cover during printing .....	2-10

## Chapter 3 Setup

About Head Height MENU .....	3-2
Head Height MENU table .....	3-2
Setting the Media Thickness .....	3-3
Setting the HEAD GAP .....	3-3
Gap check .....	3-3
Table spacer .....	3-4
About ORIGIN SETUP MENU .....	3-6
ORIGIN SETUP MENU table .....	3-6
Setting the X offset (REM) .....	3-7
Setting the Y offset (REM) .....	3-7
Setting the X offset (LOC) .....	3-7
Setting the Y offset (LOC) .....	3-7
Setting the Z origin .....	3-8
Changing the origin using the JOG keys .....	3-8
About SETUP MENU .....	3-10
SETUP MENU table .....	3-11
Setting of Media Correction .....	3-12
Setting of LOGICAL SEEK .....	3-12
Setting of INK LAYERS .....	3-13
Setting of REFRESH LEVEL .....	3-13
Setting of UV MODE .....	3-13
Setting of WORK CHANGE .....	3-13
Setting of FAN MODE .....	3-14
Setting of AUTO CLEANING .....	3-14
Setting of PRINT FLUSHING LEVEL .....	3-14
Setting of MAPS4 .....	3-15
Setting of the Misregistration adjust .....	3-16
Setting of LT mode .....	3-17
Setting of SUCTION WIPER .....	3-17
About MACHINE SETUP MENU .....	3-18
MACHINE SETUP MENU table .....	3-19
Setting a AUTO Power-off .....	3-20
Setting Time .....	3-20
Setting Unit (Length) .....	3-20
Setting a KEY BUZZER .....	3-21
Setting the network .....	3-21
Setting event mail function .....	3-22
Setting a LANGUAGE .....	3-26

Setting a Ionizer (Option) .....	3-26
Recognize connection options .....	3-26
Initializing the Settings.....	3-26
Setting the time of the head temperature to standby .....	3-27
About NOZZLE CHECK MENU .....	3-28
INFORMATION MENU table.....	3-28
Printing Check Flow .....	3-29
Printing Operations at “Nozzle Missing” Judgment and Error Occurrence.....	3-29
Setting the Printing Check.....	3-30
Setting the NOZZLE RECOVERY .....	3-30
Setting the Judgment Condition .....	3-30
About INFORMATION MENU .....	3-31
INFORMATION MENU table.....	3-31
Displaying the Information.....	3-32

## Chapter 4 Maintenance

Routine maintenance .....	4-2
When this machine is left unused for a long time.....	4-2
Precautions in cleaning .....	4-2
Cleaning exterior surfaces.....	4-2
Cleaning the table .....	4-2
About MAINTENANCE MENU .....	4-4
MAINTENANCE MENUs at-a-glance.....	4-5
Maintaining the Capping Station .....	4-6
Cleaning the Wiper and Cap .....	4-6
Cleaning the mist filter.....	4-8
Nozzle Wash .....	4-9
Nozzle Wash (When PR-200 cleaning solution using).....	4-10
Washing the Ink Discharge Passage .....	4-11
When the Machine Is Not Used for a Long Time .....	4-12
Sub tank maintenance.....	4-13
White maintenance.....	4-13
Cleaning the Ink Head and the Area around It .....	4-14
Nozzle Recovery Function .....	4-15
Reset the set value.....	4-16
Checking the UV Lamp Usage.....	4-16
Solving the Ink Overflow Problem .....	4-16
Automatic Maintenance Function .....	4-17
Setting the Refreshing Intervals .....	4-17
Setting the Cleaning Intervals and Type .....	4-17
Replacing consumables .....	4-18
(When using rubber wiper) Replace the wiper/wiper absorber. ....	4-18
Replacing the mist filter .....	4-19
If a Waste Ink Tank Confirmation Message Appears.....	4-19
Replacing the waste ink tank before the waste ink tank confirmation mes- sage is displayed.....	4-20
If Check Wiper Waste Inktank Warning Appears .....	4-21
Replacing the waste ink tank before the “Check wiper waste inktank” warning is displayed.....	4-22
Supplying antifreeze liquid .....	4-22



---

Supplying antifreeze liquid .....	4-23
-----------------------------------	------

## **Chapter 5 Troubleshooting**

Troubleshooting .....	5-2
Power does not turn on .....	5-2
The machine does not start printing .....	5-2
Image quality is poor .....	5-2
Nozzle is clogged .....	5-3
Ink bottle warning appears .....	5-3
When the ink leakage occurs .....	5-3
Warning / Error Messages .....	5-4
Warning messages .....	5-4
Error messages .....	5-6

## **Chapter 6 Appendix**

Specifications .....	6-2
Machine specifications .....	6-2
Ink specifications .....	6-4
Setting orders of ink bottles .....	6-5
Sheet for inquiry .....	6-6

## CAUTION

### DISCLAIMER OF WARRANTY

THIS LIMITED WARRANTY OF MIMAKI SHALL BE THE SOLE AND EXCLUSIVE WARRANTY AND IS IN LIEU OF ALL OTHER WARRANTIES, EXPRESS OR IMPLIED, INCLUDING, BUT NOT LIMITED TO, ANY IMPLIED WARRANTY OF MERCHANTABILITY OR FITNESS, AND MIMAKI NEITHER ASSUMES NOR AUTHORIZES DEALER TO ASSUME FOR IT ANY OTHER OBLIGATION OR LIABILITY OR MAKE ANY OTHER WARRANTY OR MAKE ANY OTHER WARRANTY IN CONNECTION WITH ANY PRODUCT WITHOUT MIMAKI'S PRIOR WRITTEN CONSENT.

IN NO EVENT SHALL MIMAKI BE LIABLE FOR SPECIAL, INCIDENTAL OR CONSEQUENTIAL DAMAGES OR FOR LOSS OF PROFITS OF DEALER OR CUSTOMERS OF ANY PRODUCT.

### Requests

- This Operation Manual has been carefully prepared for your easy understanding, however, please do not hesitate to contact your local distributor, our sales office, or service center if you have any inquiry.
- Description contained in this Operation Manual are subject to change without notice for improvement.

### FCC Statement (USA)

This machine has been tested and found to comply with the limits for a Class A digital device, pursuant to Part 15 of the FCC Rules. These limits are designed to provide reasonable protection against harmful interference when the machine is operated in a commercial environment. This equipment generates, uses and can radiate radio frequency energy and, if not installed and used in accordance with the operation manual, may cause harmful interference to radio communications.

Operation of this equipment in a residential area is likely to cause harmful interference in which cause the user will be required to correct the interference at his own expense.



- In the case where MIMAKI-recommended cable is not used for connection of this device, limits provided by FCC rules can be exceeded. To prevent this, use of MIMAKI-recommended cable is essential for the connection of this machine.

### Interference to televisions and radios

The product described in this manual generates low radio waves while it is in operation. The product can interfere with radios and televisions if set up or commissioned under improper conditions. The product is not guaranteed against any damage to specific-purpose radios and televisions.

The product's interference with your radio or television will be checked by turning on/off the power switch of the product.

In the event that the product is the cause of interference, try to eliminate it by taking one of the following corrective measures or taking some of them in combination.

- Change the direction of the receiving antenna or the feeder of your radio/television.
- Move the receiver away from the product.
- Plug the power cord of this machine into an outlet which is isolated from power circuits connected to the television set or radio.

### CDRH REGULATION

The Center for Devices and Radiological Health for the U.S. Food and Drug Administration Implement regulations for laser products. The sentence of "This product complies with 21 CFR chapter I and subchapter J" indicates compliance with the CDRH regulations and is labeled on the product when marketed in the United States. This Model is equivalent to Class II laser device according to CDRH Regulation.

This product complies with 21 CFR chapter I and subchapter J



- Use of controls, adjustments or performance of procedures other than those specified in this manual may results in hazardous radiation exposure.

## Foreword

Congratulations on your purchase of a MIMAKI "UJF-3042MkII/UJF-3042MkII EX/6042MkII" model of UV ink jet printer.

UV Inkjet Printer UJF-3042MkII/UJF-3042MkII EX/6042MkII uses ultraviolet ray curing ink (UV ink).

Read this Operation Manual carefully and make the most effective use of your printer.

### On this operation manual

- This Operation Manual describes the operation and maintenance of Model UJF-3042MkII/UJF-3042MkII EX/6042MkII Color Ink Jet Printer (hereinafter referred to as the machine).
- The illustration of UJF-3042MkII is used in the explanation of this manual.
- Please read and fully understand this Operation Manual before putting the machine into service. It is also necessary to keep this Operation Manual on hand.
- Make arrangements to deliver this Operation Manual to the person in charge of the operation of this machine.
- This Operation Manual has been carefully prepared for your easy understanding, however, please do not hesitate to contact your local distributor, our sales office, or service center if you have any inquiry.
- Description contained in this Operation Manual are subject to change without notice for improvement.
- In the case where this Operation Manual should be illegible due to destruction or lost by fire or breakage, purchase another copy of the Operation Manual from our office.
- You can also download the latest operation manual from our website.

## For safe operation



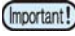





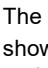

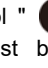
### Symbols









Symbols are used in this Operation Manual for safe operation and for prevention of damage to the machine.




The indicated sign is different depending on the content of caution.

Symbols and their meanings are given below. Please follow these instructions as you read this manual.

### Examples of symbols

Meaning	
	Failure to observe the instructions given with this symbol can result in death or serious injuries to personnel. Be sure to read it carefully and use it properly.
	Failure to observe the instructions given with this symbol can result in injuries to personnel or damage to property.
	Important notes in use of this machine are given with this symbol. Understand the notes thoroughly to operate the machine properly.
	Useful information is given with this symbol. Refer to the information to operate the machine properly.
	Indicates the reference page for related contents.
	The symbol "  " indicates that the instructions must be observed as strictly as the CAUTION instructions (including DANGER and WARNING instructions). A sign representing a precaution (the sign shown at left warns of hazardous voltage) is shown in the triangle.
	The symbol "  " indicates that the action shown is prohibited. A sign representing a prohibited action (the sign shown at left prohibits disassembly) is shown in or around the circle.
	The symbol "  " indicates that the action shown must be taken without fail or the instructions must be observed without fail. A sign representing a particular instruction (the sign shown at left instructs to unplug the cable from the wall outlet) is shown in the circle.

 <b>WARNING</b>	
	<ul style="list-style-type: none"> <li>• Be sure to setup the appropriate air-moving system in case of using this machine in a closed room or a room with bad ventilation.</li> </ul> <p><b>Cautions for constructing exhaust outlet.</b> Please observe the following cautions to avoid breakdown of this machine.</p> <ol style="list-style-type: none"> <li>(1) The opening area of the exhaust outlet requires more than half of the duct entrance area.</li> <li>(2) If mounting a valve on the exhaust outlet, be sure to open the valve when using the machine.</li> </ol>
	<ul style="list-style-type: none"> <li>• The included power cable set can be used with this machine only. This power cable set cannot be used with any other electrical devices. To prevent a fire or electric shock, do not use any power cable set other than the one included.</li> </ul>
	<ul style="list-style-type: none"> <li>• The ink used for this machine falls into the category of UN No.3082 and UN Class 9. Since the ink is flammable, never use fire when using the machine.</li> </ul>
 	<ul style="list-style-type: none"> <li>• When cleaning the heads, be sure to wear the included safety glasses and gloves.</li> <li>• The gloves supplied with the machine are disposable. When all the gloves are expended, purchase an equivalent product on the market.</li> </ul>
	<ul style="list-style-type: none"> <li>• If anyone swallows ink or cleaning solution in mistake, get the person to vomit and see a doctor immediately. Do not let him or her swallow the vomit. Then, refer SDS about the inquiry.</li> <li>• If you inhale a lot of vapor and feel bad, immediately move to a location of fresh air and then keep yourself warm and quiet. Then, consult a doctor as soon as possible.</li> <li>• Discard the waste ink according to the local regulations of the area that this machine is used.</li> </ul>
	<ul style="list-style-type: none"> <li>• The set of power cables provided with this machine is for use with this machine only, and cannot be used with other electrical devices. Do not use any power cables other than the ones provided with the machine. Failure to observe those instructions may result in fire or electric shocks.</li> <li>• Take care not to damage, break or work upon the power cable. If a heavy material is placed on the power cable, or if it is heated or pulled, the power cable can break, thus resulting in fire or electric shocks.</li> <li>• Do not use this machine in an environment where humidity is high or the machine may get wet. Using the machine under such environment may result in fire or electric shock, or cause malfunction.</li> </ul>

 <b>WARNING</b>	
	<ul style="list-style-type: none"> <li>• Use of the machine under an abnormal condition where it produces smoke or strange smell can result in fire or electric shocks. If such an abnormality is found, be sure to turn off the power switch immediately and unplug the cable from the wall outlet. Check first that the machine no longer produces smoke, and then contact your distributor or a sales office of MIMAKI for repair. Never repair your machine by yourself since it is very dangerous for you to do so.</li> <li>• Never disassemble or remodel the main unit of the machine or the ink cartridge. Disassembly or remodeling can result in an electric shock or breakdown of the machine.</li> <li>• Take care that no dust or dirt sticks to Media Transfer Surface heaters. Dust and dirt sticking heaters can cause fire.</li> <li>• Do not use extension cords. Doing so may result in fire or electric shocks.</li> <li>• Keep the power plug prong clear of any foreign object such as a piece of metal. Failure to do so may result in a fire or electric shocks.</li> <li>• Do not plug too many leads into a single socket. Doing so may result in fire or electric shocks.</li> <li>• Do not use the machine if the power cord or plug is damaged. Using the machine with damaged power cord may result in fire or electric shocks. Contact your service representative for replacement cord.</li> <li>• Do not handle the power plug with wet hands. Doing so may result in electric shocks.</li> <li>• Grasp by holding the plug itself when removing the power plug from wall outlet, and never hold by the cord. Holding and pulling the cord may damage the cord, leading to fire or electric shocks.</li> <li>• To prevent a fire or electric shock, do not use the device at a power supply voltage other than the one indicated.</li> <li>• To prevent a fire or electric shock, do not use the device at a power supply frequency other than the one indicated.</li> <li>• Keep your fingers and other body parts away from dangerous moving parts of the device.</li> <li>• If metals, water, liquids or similar foreign material enters the device, turn the power supply off immediately, make sure to disconnect the power plug, and contact the service center. Using the device without addressing the issue can result in a fire or electric shock.</li> <li>• In case of ink leakage, please turn off the main power, unplug the power cable and contact your local distributor, our sales office, or service center.</li> </ul>
	<ul style="list-style-type: none"> <li>• Keep children away from this machine.</li> </ul>

## Never do the following

**WARNING****Do not disassemble or remodel the machine**

- Never disassemble or remodel this machine and the ink bottle. Disassembling or remodeling any of them will result in electric shocks or breakdown of this machine.

**Power supply and voltage**

- Use this machine with indicated power specifications. Be sure to connect the power cable plug to the grounded outlet, or it may cause fire or electric shock.



- Never look at the LED UV being lit with your naked eyes, or it may cause pain in your eyes or visual impairment. Be sure to wear safety glasses.
- Do not apply ultraviolet (UV) light directly to your skin, or it may cause irritation on your skin.



- To prevent electrical shock, be sure to set OFF the main power circuit breaker and disconnect the power plug before carrying out maintenance. For some units, capacitors may take one minute for discharging; therefore, start maintenance work three minutes after setting OFF the main power circuit breaker and disconnecting the power plug.
- If LED UV has been damaged, you should replace the LED UV that has reached or has past its rating life.



- The main power circuit breaker should be set ON only by personnel with sufficient knowledge about operations of this machine.
- Do not touch the lamp with bare hands while lighting or right after the lamp off to avoid from burn injury.



- Although this machine is a Class 1 laser device, its laser sensors are equipped with Class 2 lasers. Never look directly at the laser light, as it can make your eyes hurt or damage your eyesight.

**Do not use this machine in damp places**

- Avoid damp environment to use this machine. Do not splash water onto this machine. High humidity or water will give rise to fire, electric shocks or breakdown of this machine.

**WARNING****Abnormal event occurs**

- If the machine is used under an abnormal condition where the machine produces smoke or unpleasant smell, fire or electric shocks can result. Be sure to turn off the power switch immediately and detach the plug from the receptacle. Check first to be sure that the machine no longer produces smoke, and contact a distributor in your district for repair.
- Never repair your machine by yourself since it is very dangerous for you to do so.

**Handling of ink bottles**

- Some of the ingredients (UV Curing initiator) have toxic consequences to aquatic life. Avoid leak into water system or sewage containing water.
- Store ink bottles and waste ink tank in a place that is out of the reach of children.
- If ink settles on the skin or clothes, immediately wash it off with detergent or water. If you get ink in your eyes, immediately wash your eyes with a lot of clean water, and then consult a doctor as soon as possible.






**Handling of LED UV**

- Do not use the machine in a flammable atmosphere (such as gasoline, flammable sprays, thinners, lacquers, dust, etc.). It may cause a fire or electric shock by ignition.
- Do not bring paper or cloth close to the LED UV unit or cover LED UV unit with it. Doing so may cause fire.




**Handling of the antifreeze liquid**











- Use the exclusive antifreeze liquid, or the cooling device may be damaged.
- Do not directly touch the antifreeze liquid. If the antifreeze liquid or mixed soft water with antifreeze liquid gets on the skin or clothes, immediately wash it off with soap. If you get the antifreeze liquid in your eyes, immediately wash your eyes with a lot of clean water. Then, consult a doctor as soon as possible.
- Before using the antifreeze liquid, be sure to read the Safety Data Sheet (SDS).
- If you swallowed the antifreeze liquid accidentally, try to get to vomit, and then consult a doctor as soon as possible.
- Discard the waste antifreeze liquid or used mixed soft water with antifreeze liquid as follows; Absorb in a sawdust or waste cloth, then incinerate it. Entrust to an industrial waste disposal contractor, clarifying their contents.
- Avoid causing ignition with static electricity, impact spark and so on.
- Be sure to wear safety glasses and gloves for handling the antifreeze liquid.



 <b>WARNING</b>	
<b>Circulating water</b>	
	<ul style="list-style-type: none"> <li>If you find any water leaks on the maintenance parts, turn the power switch off immediately, and remove the power plug from the power socket.</li> </ul>
<b>Note on maintenance</b>	
	<ul style="list-style-type: none"> <li>When cleaning the ink-station or the heads, be sure to wear the included safety glasses and gloves.</li> </ul>
	<ul style="list-style-type: none"> <li>The gloves supplied with the machine are disposable. When all the gloves are expended, purchase an equivalent product on the market.</li> </ul>
	<ul style="list-style-type: none"> <li>Keep ink away from an open flame. Also keep the room well ventilated when you use or handle ink.</li> <li>If you get ink in your eyes, immediately wash your eyes with a lot of clean water for at least 15 minutes. In doing so, also wash eyes to rinse ink away completely. Then, consult a doctor as soon as possible.</li> <li>If anyone drinks ink by mistake, keep him or her quiet and see a doctor immediately. Do not allow him or her to swallow the vomit.</li> <li>Then contact the emergency number written in SDS.</li> <li>If you inhale a lot of vapor and feel bad, immediately move to a location of fresh air and then keep yourself warm and quiet. Then, consult a doctor as soon as possible.</li> <li>If the ink adheres to your skin, use a large amount of water and soap or special detergent.</li> </ul>

### Precautions for use

 <b>CAUTION</b>	
<b>Warning labels</b>	
	<ul style="list-style-type: none"> <li>Warning labels are adhered on this machine. Be sure to fully understand the warnings given on the labels. In the case where any of the warning label has become so soiled that the warning message is illegible or has come off, purchase a new one from your local distributor or our office.</li> </ul>
<b>Ink bottles</b>	
	<ul style="list-style-type: none"> <li>If the ink bottle is moved from a cold place to a warm place, leave it in a place of use for three hours or more and use it.</li> <li>Open the ink bottle just before installing. Leaving it open for a long time will cause abnormal printing.</li> <li>Be sure to store ink bottles in a cold and dark place.</li> <li>Once the ink opened, be sure to use ink up early. The ink passed for a long time after opening the bottle will lower the printing quality.</li> </ul>

 <b>CAUTION</b>	
	<ul style="list-style-type: none"> <li>Using other than exclusive ink will break this machine. In this case, repairing of this machine is your responsibility.</li> <li>Never refill the ink bottle with ink.</li> <li>Do not pound the ink bottle nor shake it violently. If so, ink may leak out of the bottle.</li> </ul>
<b>Protection against dust</b>	
	<ul style="list-style-type: none"> <li>It is strongly recommended to use the machine in a room that is not dusty. Set the Refresh level 2 or 3 when in bad environment.</li> <li>Do not forget to close the front cover before going home in the evening. If any media is left on the printer, dust can put on it.</li> <li>Store media not to put dust on it. Wiping dust off the media, dust will be put on the media due to static electricity.</li> </ul>
<b>Handling of cleaning solution</b>	
	<ul style="list-style-type: none"> <li>Be sure to store the cleaning solution in a cold and dark place. Store the cleaning solution in a place that is out of the reach of children.</li> </ul>
<b>Handling the antifreeze liquid</b>	
	<ul style="list-style-type: none"> <li>Be sure to store the antifreeze liquid in a cold and dark place.</li> <li>Store the antifreeze liquid in a place that is out of the reach of children.</li> </ul>
<b>Hot parts</b>	
	<ul style="list-style-type: none"> <li>The LED UV device and the hot water will have a very high temperature. When carrying out maintenance, wait until the temperature has been sufficiently lowered after the lamp is turned OFF.</li> </ul>
	<ul style="list-style-type: none"> <li>When it is unavoidable to touch hot parts, be sure to wear heat-insulating gloves to protect your hands.</li> </ul>
<b>Power supply</b>	
	<ul style="list-style-type: none"> <li>Leave the breaker turned ON.</li> <li>Do not turn off the main power switch on the right side of this machine.</li> </ul>
<b>UV light</b>	
	<ul style="list-style-type: none"> <li>A little UV light spills around the LED UV unit. UV light applied to your skin might cause inflammation and/or skin cancer. Even weak UV light causing no inflammation may lead to chronic disorders by repeated exposure. Avoid applying UV light to your skin and eyes.</li> </ul>
	<ul style="list-style-type: none"> <li>Impairment of eyes caused by UV light may be acute disorders, pain in eyes, tearing, chronic disorders, cataract, etc. When using this machine, protect your body such as gloves, long-sleeve cloth, light-resistant mask, attached light-resistant glasses, etc.</li> </ul>



**CAUTION**

**Notes on LED UV**

- When handling the glass on the bottom of the LED UV unit, be sure to wear the gloves attached and never touch them with bare hands. Or the UV ink curing level may significantly lower. If the glass becomes dirty, wipe it with clean gauze moistened with alcohol. (Do not use alcohol for cleaning the exterior cover, or the paint will peel off.)
- The LED UV performance and service life are significantly affected by the UV irradiation and UV power supply units used. Never use those UV devices other than those recommended by Mimaki. We would take no responsibility for any troubles caused through the use of a UV devices not recommended by Mimaki.

**Cleaning**

- After using this machine long time, foreign materials and dust may be gathered on the conductive and insulating parts, causing electric leakage. Periodically clean such parts.
- For cleaning, do not use compressed air because it scatters foreign materials and dust, which may cause malfunctions when put inside the conductive parts. Be sure to use vacuum cleaner to vacuum off foreign materials and dust.
- Do not use the machine in a place where there is a possibility of being wet, or electricity may leak.
- Electrical leakage may lead to electrical shock of personnel or fire.
- To prevent accidents, be sure to carry out periodic inspections and replace periodic replacement parts.

**Periodic exchange parts**

- There are some parts which must be periodically replaced. Contract with distributors or dealers for maintenance.

**Adjusting the level**

- Keep this machine horizontal.

**Firing and smoking**

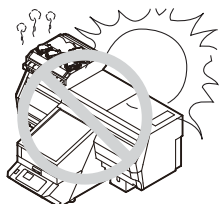
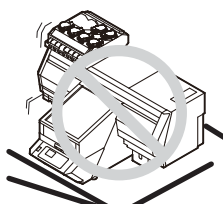
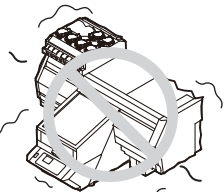
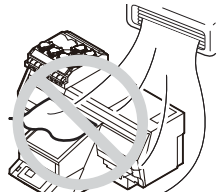
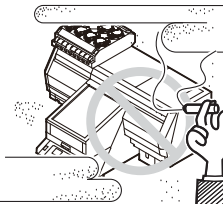
- Touching hot parts such as the LED UV with combustible materials may cause firing and/or smoking. Leaving combustible materials under the LED UV unit for a couple of minutes may also cause firing and/or smoking.

**CAUTION**

- After this machine is used long time, foreign materials or dust gathered may cause electrical leakage, or insulation deterioration may cause firing and/or smoking. Periodically clean this machine and replace the deteriorated parts after the insulation resistance.
- After this machine is used long time, screws or others on the conductive parts may be loosened, causing firing and/or smoking. Periodically tighten the screws.
- This machine is not an explosion-proof type. Do not use the machine in a flammable atmosphere. There is a danger of explosion.
- If abnormalities such as a strange odor, a smoking or a spark burn occurred, turn the power off and call our office immediately.

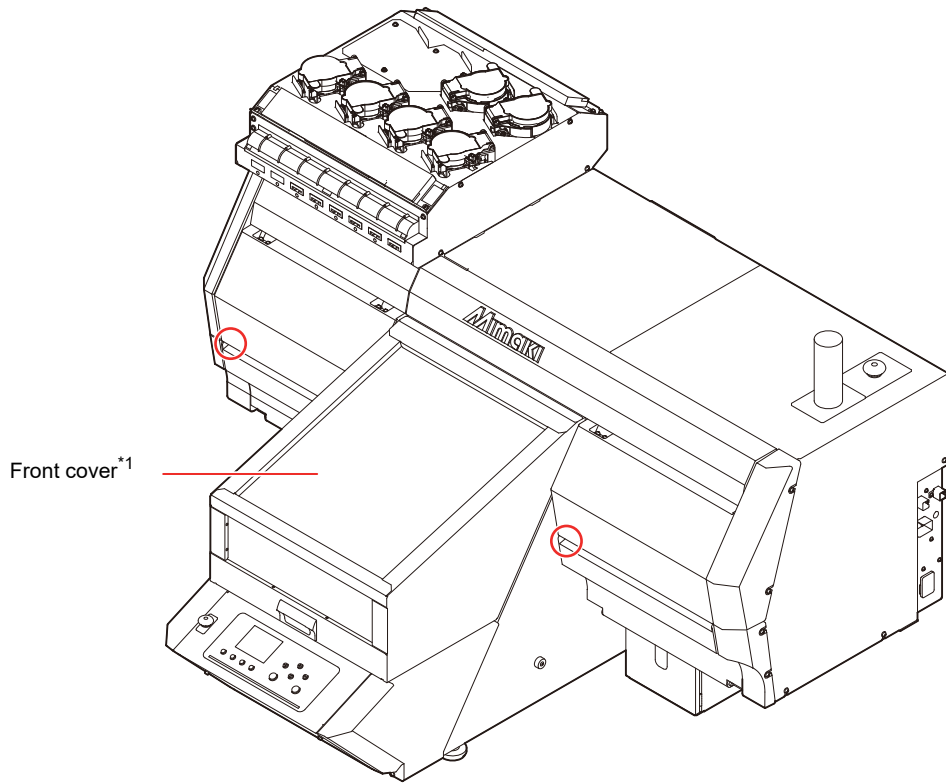
**Cautions on Installation**

**CAUTION**

<b>A place exposed to direct sunlight</b>	<b>On an inclined surface</b>
	
<b>A place that vibrates</b>	<b>A place exposed to direct air flow from an air conditioner or the like.</b>
	
<b>A place where temperature or humidity varies significantly</b>	<b>Around a place where fire is used</b>
<ul style="list-style-type: none"> <li>• Use the machine under the following environmental conditions:</li> <li>• Operating environment: 20 to 30 °C (68 to 86 °F) 35 to 65 % (Rh)</li> </ul>	

## Safety interlock

This machine is equipped with interlocks to terminate the operation for your safety when the cover opens during printing etc. (red circle parts in the figure below).

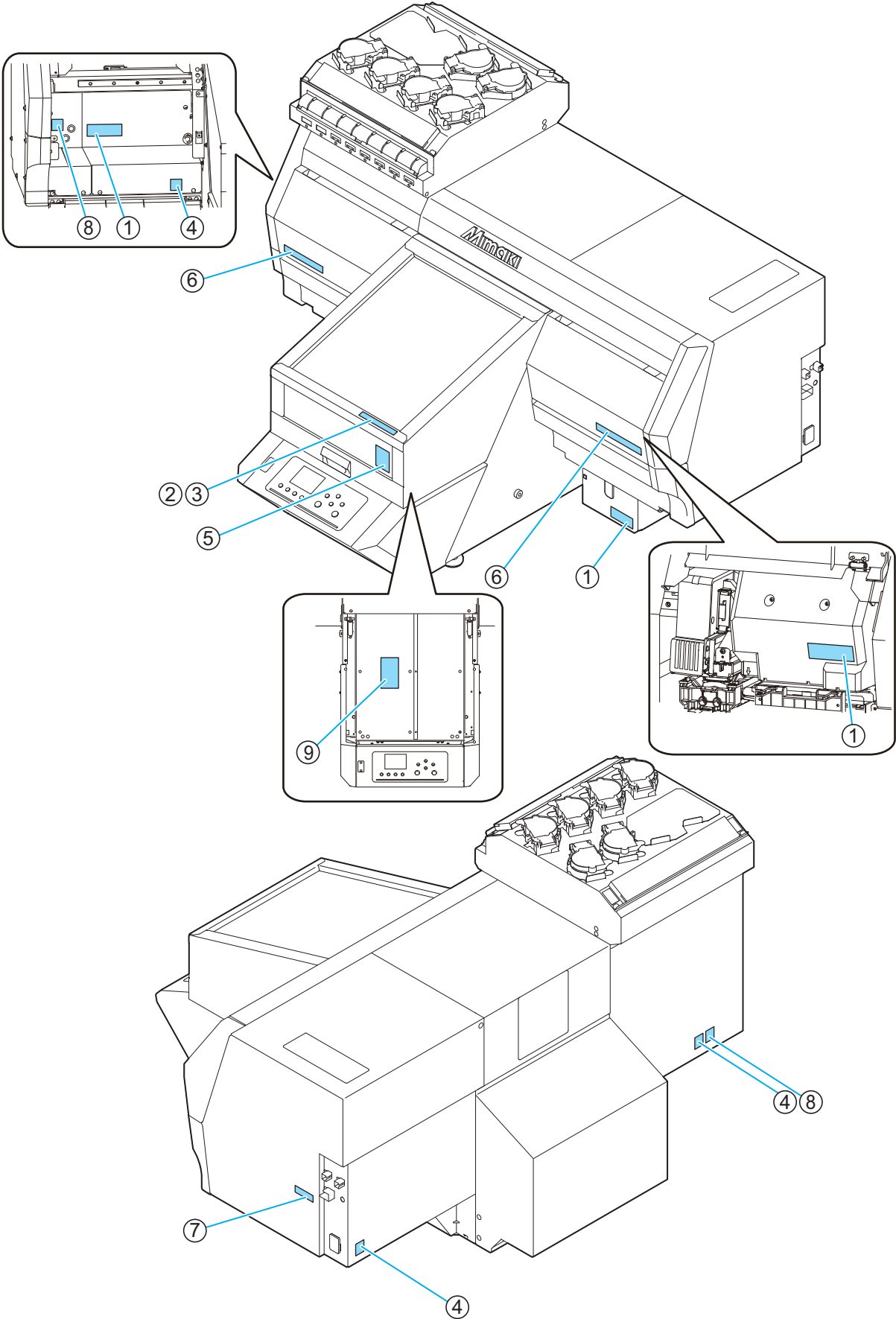




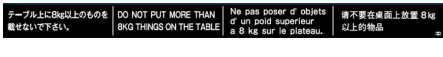
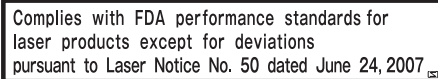





\*1: Although the carriage stops when you open the front cover, the interlock is not activated.



# Position of the warning label

Warning labels are adhered on this machine. Be sure to fully understand the warnings given on the labels. In the case where any of the warning label has become so soiled that the warning message is illegible or has come off, purchase a new one from your local distributor or our office.



Order No.	Label	Order No.	Label
(1)M903330		(6)M913425	
(2)M913563 (UJF-6042MkII)		(7)M913706	
(3)M913565 (UJF-3042MkII/ UJF-3042MkII EX)		(8)M903239	
(4)M907935		(9)M913610	
(5)M913423			

# Chapter 1

## Before Use



### This chapter

describes the items required to understand before use, such as the name of each part of the machine or the installation procedures.

Installing the machine .....	1-2	Connecting the cables.....	1-10
Where to install the machine.....	1-2	Connecting the USB2.0 interface cable....	1-10
Moving this machine .....	1-2	Connecting the LAN cable.....	1-11
Configuration and Function.....	1-3	Connecting the power cable .....	1-11
Front.....	1-3	About ink bottle .....	1-12
Rear .....	1-4	Kinds of ink that can be used.....	1-12
Carriage .....	1-4	Caution in handling of ink bottles.....	1-12
EMERGENCY SWITCH.....	1-4	Setting ink bottles.....	1-13
Indicator light unit.....	1-5	About Media .....	1-17
Operation Panel .....	1-6	The sizes of media that can be used .....	1-17
About table.....	1-8	Precautions in handling the media.....	1-17
About tap position .....	1-8	Menu mode .....	1-18
Instructions for using the table .....	1-10		

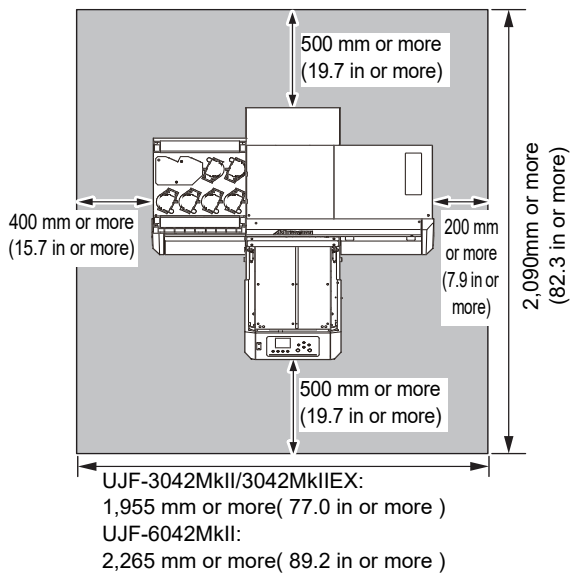
# Installing the machine

## Where to install the machine

Secure sufficient space for installation before assembling this machine.

Decide the place considering the size of the machine and a space required for printing.

Model	UJF-3042MkII	UJF-3042MkII EX	UJF-6042MkII
Width	1,355mm (53.3 in)		1,665mm (65.6 in)
Depth	1,290mm (50.8 in)		
Height *incl. bottles	936 mm (36.9 in)		
incl. dedicated stand	1,567 mm (61.7 in)		
Total Weight	Approx. 135kg(297.6lb)		Approx. 150kg (330.7lb)
incl. dedicated stand	Approx. 170kg(374.8lb)		Approx. 185kg (407.9lb)



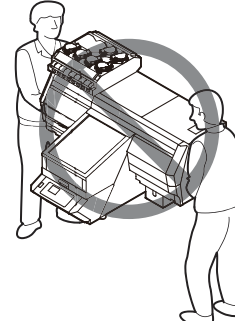
- When you usually use photographic fixer, do not install this machine in a room filled with vapor of photographic fixer. If you install this machine in such a room, ink adhering to the head hardens and it may cause image quality defect that cannot be improved even if you perform head cleaning many times and may cause nozzle clogging.
- Besides photographic fixer, if you leave this machine in an environment where acidic vapor (acetic acid, muriatic acid, etc.) is generated, the same phenomenon occurs.
- Do not use this machine in environments where cutting fluid or other volatile substances are present in large quantities (e.g., amines, modified amine alcohol). Additionally, keep this machine, ink, and maintenance kit away from such environments. Disregarding this precaution may result in nozzle clogging.

## Moving this machine

Move this machine as follows when this machine is required to move on the step-free same floor.

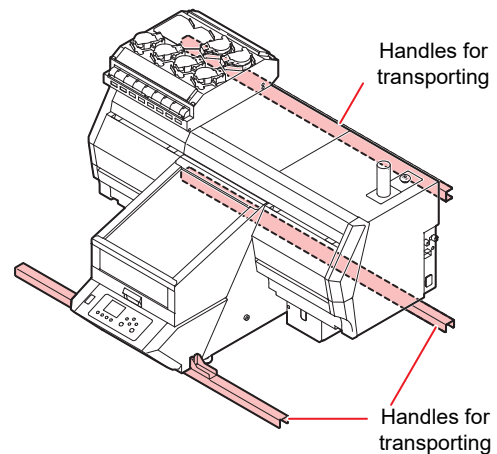


- When moving this machine, take care not to give a significant impact on it.
- When moving this machine, keep it as flatly as possible. Do not move it on its side. It may cause machine failure.
- The dedicated stand of this machine includes leveling feet to secure the machine. Before turning the power ON, make sure that the printer body is fixed with the leveling feet. The printer body may start moving during operation if it is not fixed with the leveling feet.



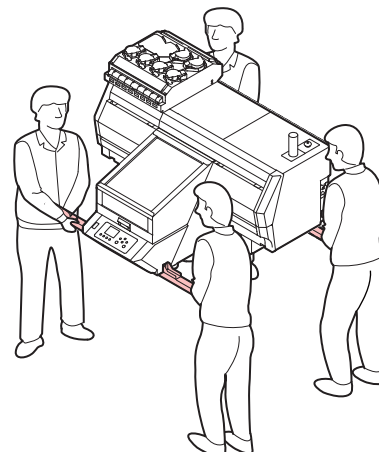
### ● Before moving this machine, install the handles for transporting. (two places)

Insert the handles into this machine, and fix them tightening screws.



### ● For safety, be sure to work it with more than 4 people.

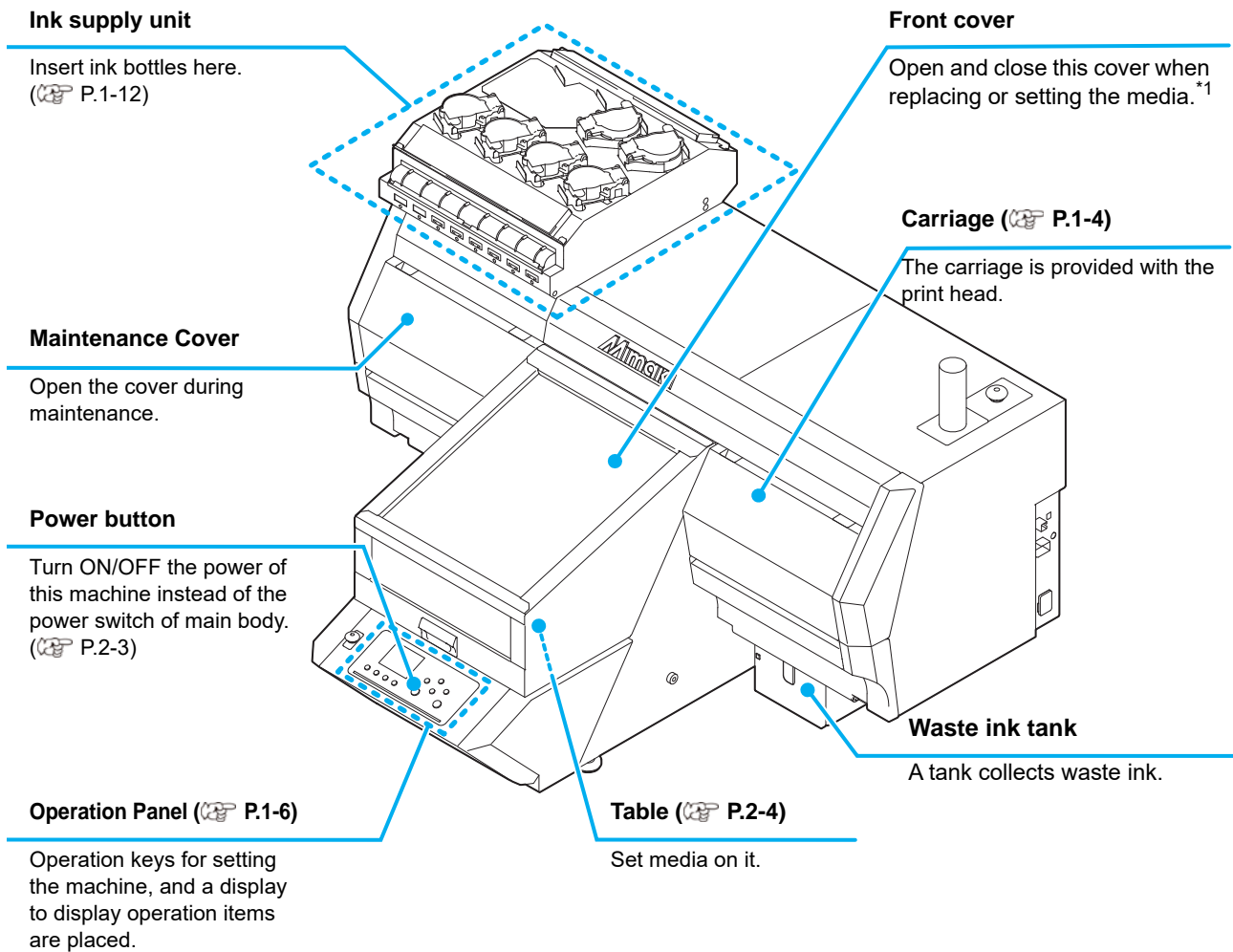
Do not push the cover to move this machine since the cover may be deformed. Be sure to hold the handles for transporting when moving the machine. Comply with local regulations when moving the product.



# Configuration and Function

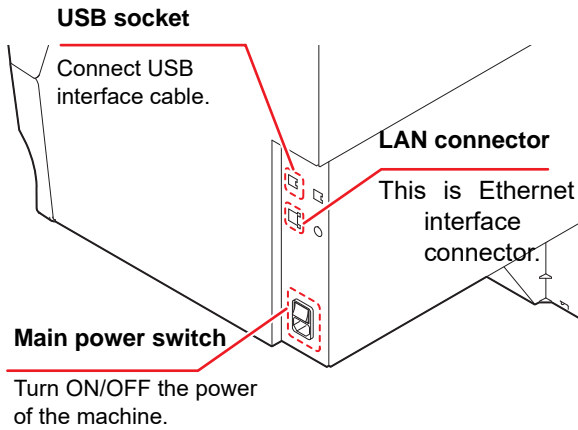
## Front

Below is an illustration of UJF-3042MkII.



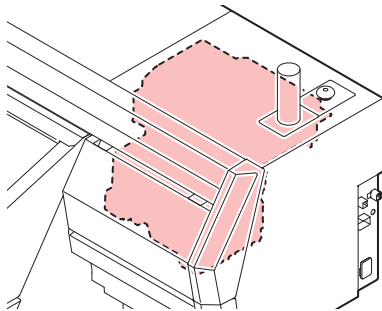
\*1: Although the carriage stops when you open the front cover, the interlock is not activated.

## Rear

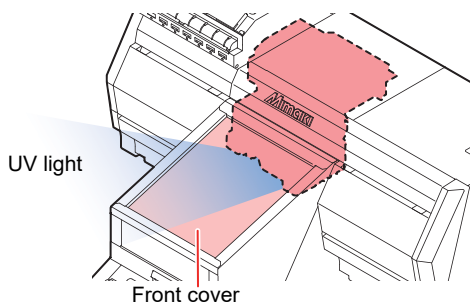


## Carriage

A print head for printing, LED UV device, and a light pointer in the print head cover are mounted on the carriage.



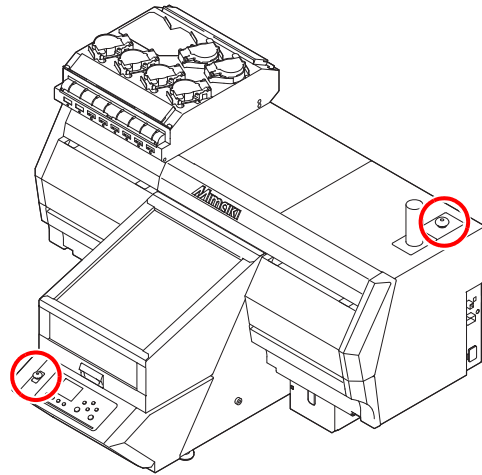
- Do not look directly at the LED UV light with the naked eye, even if it is through the front cover. This light can be extremely bright depending on the printing conditions.
- Use the accompanying light-shielding glasses.



## EMERGENCY SWITCH

One EMERGENCY switch is placed on the front face of the unit and one is placed on the right side in the rear part of the cover.

When stopping the machine for safety reason, press the switch.



- The emergency switch on 3042MkII is optional.
- To your use this option, you will need a mounting work by our service engineers. Please note that the optional accessories can not be attached by the customer.



**When you press the emergency switch and the machine stops, be sure to follow the procedures below:**

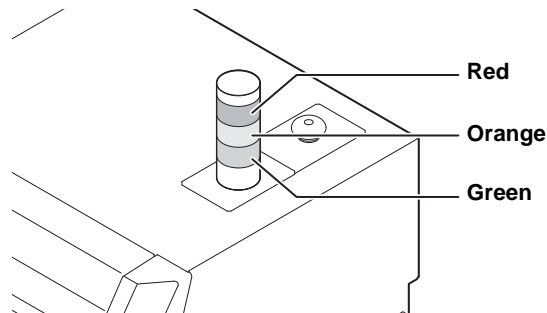
- (1) Disconnect from the outlet before resolving the fault.
- (2) After checking the safety, pull the emergency switch upward (or rotate) to release.
- (3) Connect to the outlet.

## Indicator light unit

The indicator light unit shows the status of the machine in the three colors light.



- Indicator light unit on 3042MkII is optional.
- To your use this option, you will need a mounting work by our service engineers. Please note that the optional accessories can not be attached by the customer.



status of the machine	State of lamp		
	Green	Orange	Red
LOCAL	-	-	-
REMOTE (printing)	Blinking	-	-
REMOTE (no printing)	Lighting	-	-
Specific warning / error <sup>*1</sup> has occurred, and the local state.	-	Blinking	-
Specific warning / error occurred, and printing in the remote.	Blinking	Blinking	-
A specific warning / error occurred, and not printing in the remote.	Lighting	Blinking	-
Errors to cause system down or the occurrence of error such as cover open.	-	-	Lighting

\*1. It is a warning or error that can be released in the work by the customer. (Such as ink near end, ink end, waste ink tank FULL, wiper cleaning, cap cleaning, and overflow maintenance)



- Never disassemble or remodel the main unit of the printer and the optional indicator. Disassembling/ remodeling any of them will result in electric shocks or breakdown of the device.
- If the device is used under an abnormal condition where the device produces smoke or unpleasant smell, fire or electric shocks can result. Be sure to turn off the power switch immediately and detach the plug from the receptacle. Check first to be sure that the device no longer produces smoke, and contact a distributor in your district for repair.
- Never repair your device by yourself since it is very dangerous for you to do so.

## Operation Panel

The operation panel is used for setting of printing method and each operation.

### SEL key

Changes over the functions of the function keys ([FUNC1]–[FUNC3]).

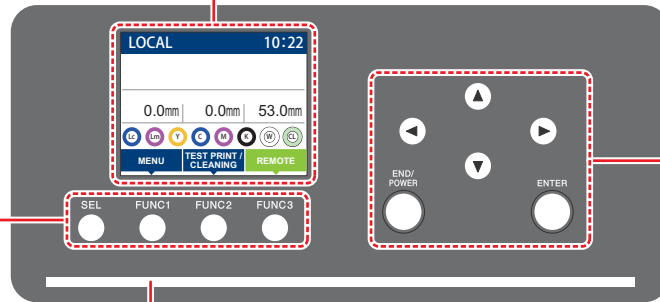
### FUNC1 / FUNC2 / FUNC3 key

Press this to set various functions or to do test printing. The function keys' functions are changed each time [SEL] key is pressed.

### Display

Displays the following items:

- Printer status
- Ink status
- Functions assigned to [FUNC1] to [FUNC3]



### Status indicator lamp

Indicates the machine's status (printing, error occurred, etc).

Condition of Lamp	Condition of machine
OFF	No print data has been received, and no errors have occurred.
Lit steady Light blue	Switched to Remote mode.
Flashing Light blue	Currently printing.
	In test printing: printing a pattern stored inside the machine.
Lit steady blue	The print data has been received.(LOCAL)
Flashing red	Error has occurred.
Lit steady red	Error (SYSTEM HALT) has occurred.
Flashing yellow	When UV mode is set to "No print", it flashes in yellow and "No print" appears in local.

### JOG key

Use these keys to shift the carriage or the media in [LOCAL]. Also use them to select an item of printing conditions.

### END/POWER key

Cancels the last input value or returns the setting menu to the immediate higher level of the hierarchy. Also, press this to turn the power on or off. (Give it a long press to turn the power off.)

### ENTER key

Registers the last input value as the setting value or goes to the immediate lower level of the hierarchy.



- The [ENTER] key under the operation panel lights in blue when the power is turned on, and off when the power switch is turned off.
- The maintenance process starts automatically even if you turn the power off. (P.4-17)
- Do not turn the main power switch (P.1-4) off.

## \*1 : Ink Status
















Status of the ink tank (remaining ink/error, etc.) is displayed using icons. Each icon is described below.

Icon	Contents																		
	Displays the remaining ink amount in nine levels, in the order of the ink cartridge set in the slot. The remaining amount decreases moving to the right. <table border="1" style="width: 100%; text-align: center;"> <tr> <td></td> <td></td> <td></td> <td></td> <td></td> <td></td> <td></td> <td></td> <td></td> </tr> <tr> <td>ink full</td> <td>Approximately 1/8 consumed</td> <td>Approximately 1/4 consumed.</td> <td>Approximately 3/8 consumed.</td> <td>Approximately 1/2 consumed.</td> <td>Approximately 5/8 consumed.</td> <td>Approximately 3/4 consumed.</td> <td>Approximately 7/8 consumed.</td> <td>near end</td> </tr> </table>										ink full	Approximately 1/8 consumed	Approximately 1/4 consumed.	Approximately 3/8 consumed.	Approximately 1/2 consumed.	Approximately 5/8 consumed.	Approximately 3/4 consumed.	Approximately 7/8 consumed.	near end
ink full	Approximately 1/8 consumed	Approximately 1/4 consumed.	Approximately 3/8 consumed.	Approximately 1/2 consumed.	Approximately 5/8 consumed.	Approximately 3/4 consumed.	Approximately 7/8 consumed.	near end											
	Indicates that the ink cannot be used due to ink end or ink error.																		
	Indicates that ink has expired or that one month has passed after the expiration date. Please use quickly. Ink can no longer be used if two months have passed after the expiration date.																		



## \*2 : Functions assigned to [FUNC1] to [FUNC3]

Contents of functions assigned to [FUNC1] to [FUNC3] are described below.

Icon	Contents
	Displays "MENU" for setting functions.
	Displays maintenance functions such as test print, cleaning, etc.
	Shifts to Remote from LOCAL and starts printing.
	Executes data clear.
	Suspends printing in Remote and shifts to LOCAL.
	Lowers the table.
	Raises the table.
	When there are multiple items on the MENU screen or other screens, it moves to the next page.
	When there are multiple items on the MENU screen or other screens, it moves to the previous page.
	Used for completing confirmation when warning message has been displayed and so on.
	Used for turning functions "OFF" or cancelling them.
	Some kind of setting or function is assigned. Operate according to the description of each function.
	Switches between enable/disable when selecting multiple items, for example, when selecting target head for cleaning and so on.
	Turns the vacuum fan on or off.
	Sets the origin.



- The color of icons changes according to the state of the machine.  
 When the icon is green: The machine is in Remote mode.  
 When the icon is dark blue: The machine is in LOCAL mode.

# About table

It is necessary to adjust the table height depending on the media thickness because various media can be set for printing.

The specification of each table is as less:

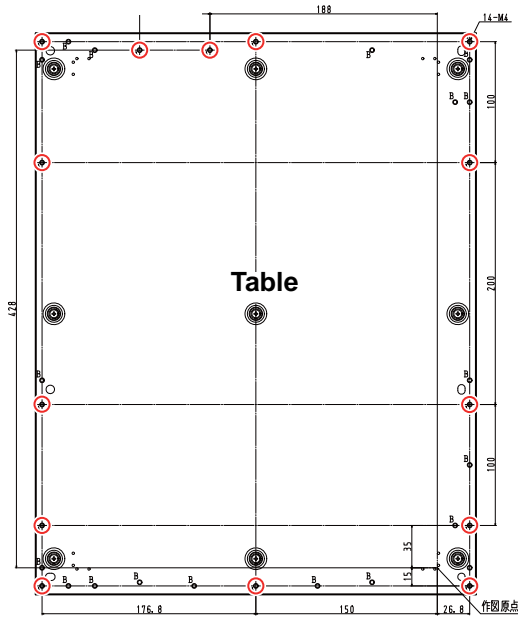
	Table		
	UJF-3042MkII	UJF-3042MkII EX	UJF-6042MkII
Acceptable media weight *1	5kg and less	5kg and less	8kg and less
Vacuum function	No(Optional)	Yes	Yes
Table movable area	0 to 53mm		
Media thickness	0 to 153mm (6inch) (1) Movable area 53mm + (2) 50mm spacers x 2 levels = 100 mm		

\*1. If you place a heavier object than specified, the table will deform and the image quality will deteriorate.

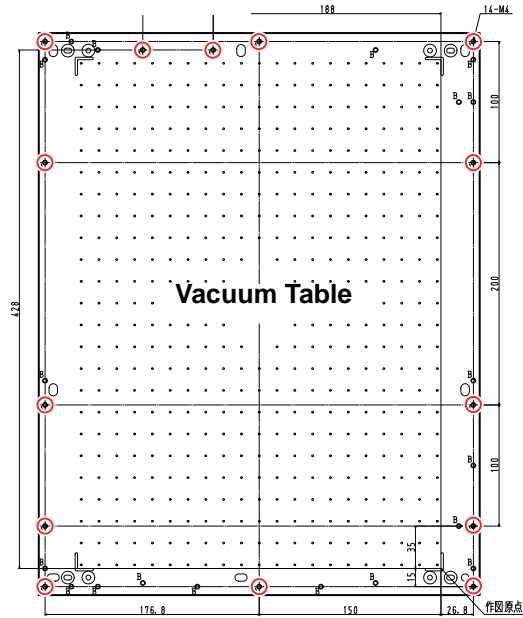
## About tap position

The table and the vacuum table on which the media set have the M4 tap (UJF-3042MkII/UJF-3042MkII EX: for 14 positions, UJF-6042/: for 18 positions) of the size below respectively.

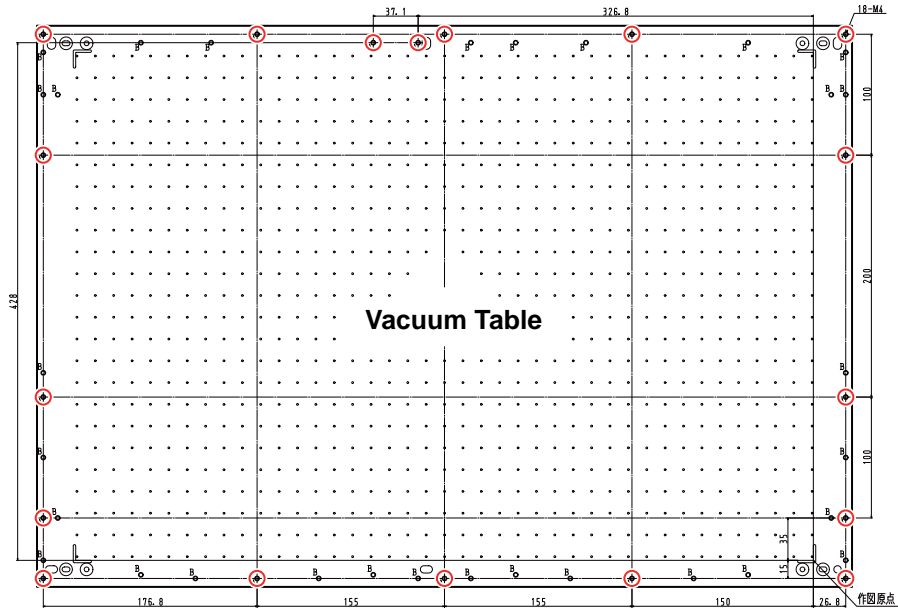
• UJF-3042MkII



• UJF-3042MkII EX



## • UJF-6042MKII



**Important!**

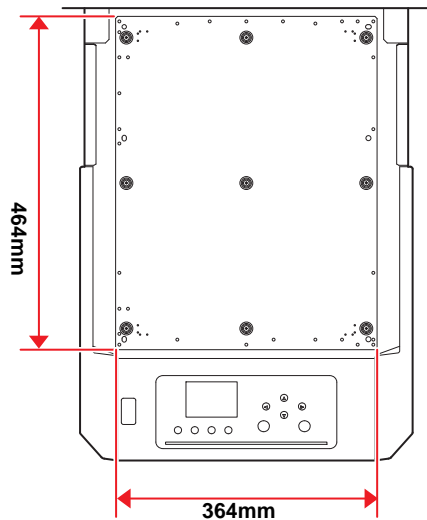
- Tap hole (○) can be used with jig.
- The position of other holes might be changed without notice.
- Do not protrude the jig from the edge of the table.

## Instructions for using the table

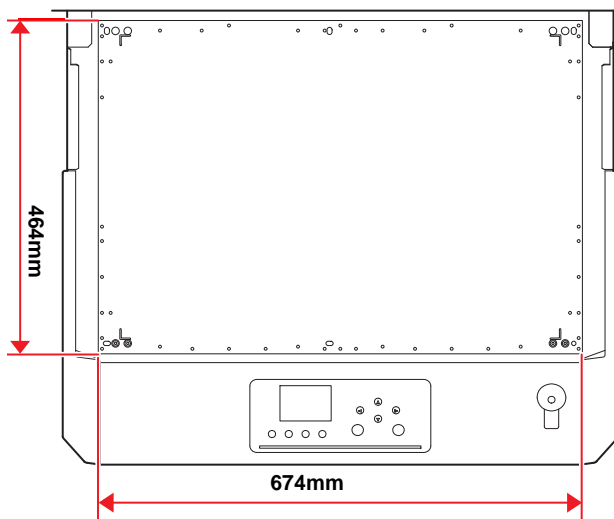
When using jigs, set the width to A3 for UJF-3042MkII/ UJF-3042MkII EX, A2 (or 674mm) for UJF-6042MkII and the depth to 464mm or less.

If you exceed the dimensions above, the table cannot be moved.

### • UJF-3042MkII/UJF-3042MkII EX



### • UJF-6042MkII



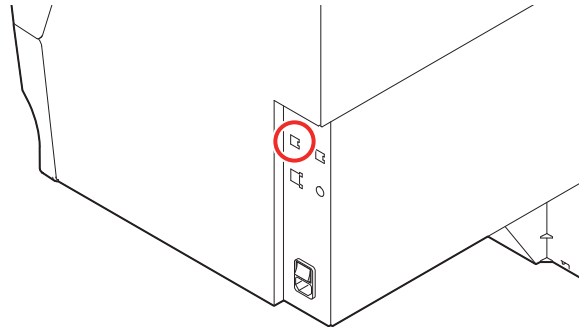
## Connecting the cables

### Connecting the USB2.0 interface cable

Connect a computer to this machine with the USB2.0 interface cable.



- Prepare the USB2.0 interface cable. (USB2.0 interface cable is not supplied with this machine.)
- Your RIP is required to support USB2.0 interface.
- If USB2.0 interface is not installed in your computer, ask a RIP maker near you or our branch office.



### Notes on USB 2.0 Interface

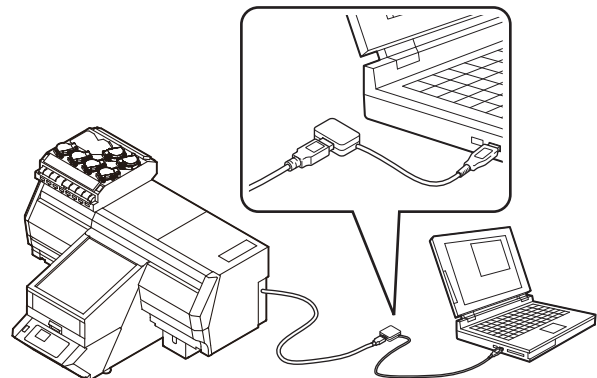


- Your RIP must be compatible with USB 2.0.

### ● When two or more UJF-3042MkII/3042MkII EX/ 6042MkII machines are connected to one personal computer

When two or more UJF-3042MkII/3042MkII EX/ 6042MkII machines are connected to one personal computer, the personal computer may not recognize all the UJF-3042MkII/3042MkII EX/6042MkII machines normally.

Reconnect the unrecognized UJF-3042MkII/3042MkII EX/6042MkII machine to another USB port, if available, and check to see if it is recognized. If the UJF-3042MkII/3042MkII EX/6042MkII machine is not recognized by the newly connected USB port, use USB 2.0 repeater cables available on the market.



## ● Notes on peripheral devices in USB high speed mode

When a peripheral device (USB memory or USB HDD) to be operated in USB high speed mode is connected to the same personal computer that a UJF-3042MkII/UJF-3042MkII EX/6042MkII machine is connected to, the USB device may not be recognized.

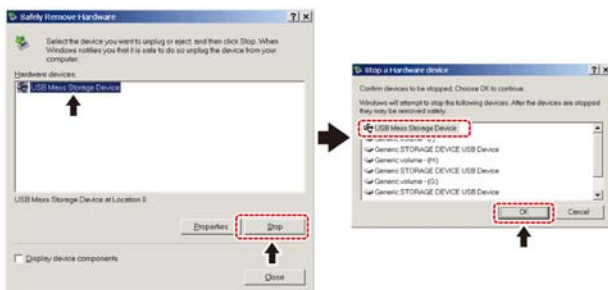
When UJF-3042MkII/6042MkII is connected to the personal computer to which an external HDD is connected via USB, the speed of data output to UJF-3042MkII/UJF-3042MkII EX/6042MkII may drop. That can cause the head unit to stop temporarily at the right or left end during printing.

## ● Removing USB memory

If a USB memory module is inserted in the personal computer to which a UJF-3042MkII/UJF-3042MkII EX/6042MkII machine is connected, click "Stop" in the "Safely Remove Hardware" window by following the instructions given there first and then remove the module.

Leaving a USB memory module inserted can cause [ERROR 10 COMMAND ERROR].

Copy the data onto the hard disk before outputting it for printing.



## Connecting the LAN cable

When connecting LAN cable, be sure to follow the note below:

- Important!** • Surely insert LAN cable until clicking noise sounds.
- Do not plug in or unplug any cable during data transferring.

## Printing Via a Network

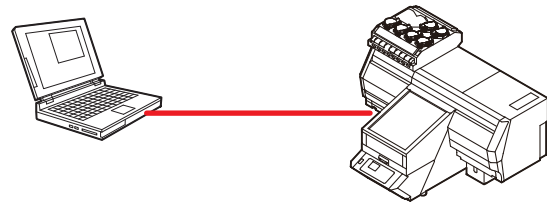
If printing via a network, you need to configure your network with the following environment.

If you configure it with an inappropriate environment, it could cause printing to stop.

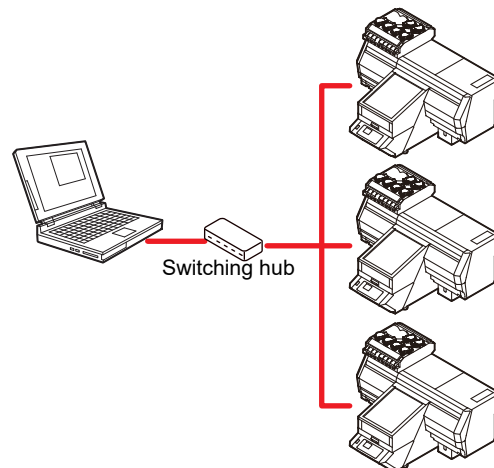
- Use LAN cables that are category 6 or higher.
- Use a switching hub and PC that support 1000BASE-T.

- Important!** • Set the PC sending the print data and the printer to the same network.
- You cannot connect via a router.

## ● If connecting directly to the printer



## ● If connecting via a switching hub



If the PC or device connected to the printer is not 1000BASE-T, you cannot perform printing. After connecting, check the following.

- (1) Check the printer screen display.
  - On the local screen or the media detection screen, press the [Enter] key several times to display the information screen.
- (2) Check the green light of the LAN connector.
  - After turning on the machine, the lamp for the LAN connector will light up as follows.

Color	Lit?	Condition
Green	ON	Connected with 1000BASE-T
	OFF	Connected without 1000BASE-T
Yellow	ON	Link-up
	Blinking	Receiving data
	OFF	Link-down

- Important!** • If the yellow light only lights up, or is blinking, the status is not 1000Mbps. Check the specifications of the PC, device, and cables.

## Connecting the power cable

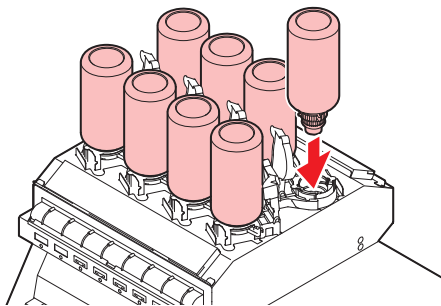


- Use only the supplied power cable.
- Be sure to connect the power cable plug to the grounded outlet, or it may cause fire or electric shock.
- Take care not to damage, break or work upon the power cable. Or if putting a heavy thing on, heating, or pulling the power cable, the power cable can break to cause fire or electric shocks.

# About ink bottle

There are 8 ink bottles (6 bottles for 3042 MkII) on the left side of the machine.

## Kinds of ink that can be used



Ink Type	Color
UV Ink	Magenta
	Cyan
	Yellow
	Black
	White
	Clear
	Primer
	Light cyan (only for 3042MkII EX/6042MkII)
	Light magenta (only for 3042MkII EX/6042MkII)
Cleaning bottle *1	

\*1. To be used when the head is cleaned.

Each color is displayed on the LCD as follows:

Display	Color	Display	Color	Display	Color
M	Magenta	K	Black	P	Primer
C	Cyan	W	White	Lc	Light cyan
Y	Yellow	CL	Clear	Lm	Light magenta

## Precautions at the time of setting the ink bottle

When setting the ink bottle, pay attention to the followings:

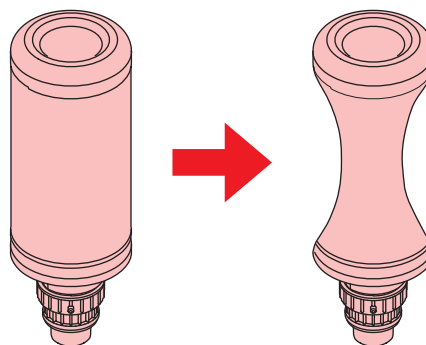


- Confirm the ink slot number and insert the ink bottle of the correct color.
- Insert the ink bottle securely all the way in the slot. Moreover, do not insert or pull out the bottle roughly.
- Insert the IC chip into the insertion hole on the ink supply unit.

## Caution in handling of ink bottles



- If you get ink in your eyes, immediately wash your eyes with a lot of clean running water for at least 15 minutes. In doing so, also wash the eyes to rinse ink away completely. Then, consult a doctor as soon as possible.
- Use genuine ink bottles for this machine. This machine functions by recognizing the genuine ink bottles. In case of troubles caused by modified ink bottles or the like, it shall be out of the warranty even within the warranty period.
- Store the ink bottle in a place not more than 1 m off the ground. If you store it in a place higher than 1 m, should the ink bottle fall, the cap may come off, spilling the ink.
- If the ink bottle is moved from a cold place to a warm place, leave it in the room temperature for three hours or more before using it.
- Make sure to store ink bottles in a cool and dark place.
- Store ink bottles and waste ink tank in a place that is out of the reach of children.
- Some component (photoinitiator) of the ink is toxic against aquatic organisms. Avoid leakage of it to natural water system or domestic waste water.
- Before using an ink bottle, be sure to read the Safety Data Sheet (SDS).
- Request an industrial waste processor for processing of empty ink bottles.
- Do not shake ink bottles violently. This may result in ink leakage from the ink bottles.
- Never refill the ink bottles with ink. This may result in troubles. MIMAKI will not bear any responsibility for any damage caused by the use of the ink bottles refilled with ink.
- Do not touch or stain the contacts of the IC chip. This may cause damages on printed circuit boards.
- The shape of an ink bottle installed in the machine might collapse as shown in the figure on the right. This is normal, and does not affect the use or operation of the machine.



# Setting ink bottles

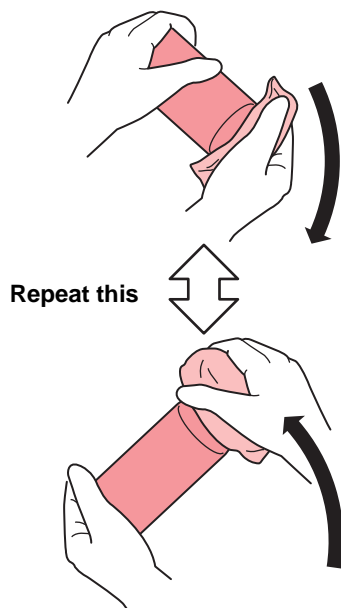
## 1 Take out the ink bottle, and slowly shake it twenty times and more.

- To prevent ink from leaking when you shake it, wear gloves and cover the ink bottle cap with a paper towel etc. Being in that status, slowly shake it twenty times and more by flowing ink.



- Before shaking it, check that the cap is firmly closed.
- If you shake it too strong, it may cause ink leakage. Therefore, perform this carefully.
- If the remaining amount of ink is less, ink in the bottle cannot be beaten enough. Tilt the ink bottle until it becomes vertical.

Cover with paper towel firmly and shake ink slowly

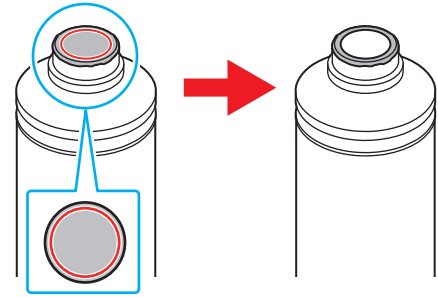


## 2 Remove the cap of the ink bottle.



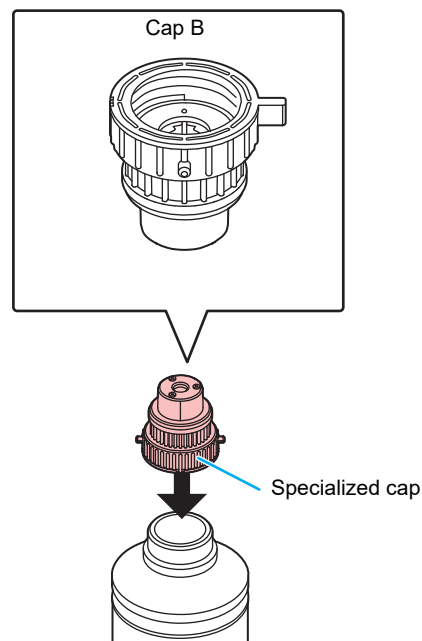
Important!

- If the mouth of the bottle is fitted with a seal, cut this open using a craft knife. Be careful not to drop the seal into the bottle.

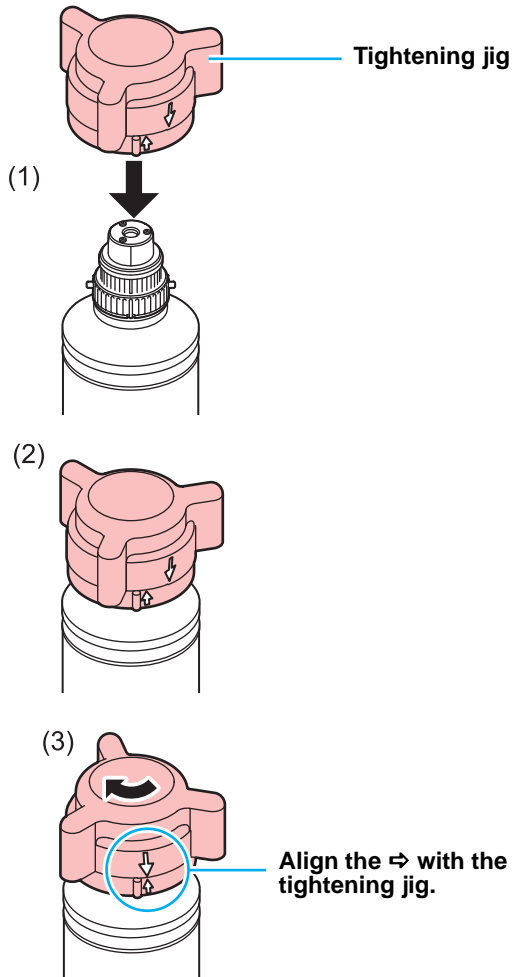


## 3 Attach the specialized cap to the ink bottle.

- (1) Set the specialized cap on the bottle.

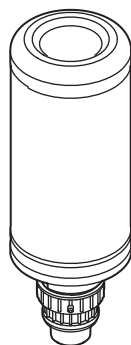


(2) Tighten the specialized cap using the tightening jig.



- Tighten until the arrows on the tightening jig are aligned.
- Do not tighten the dedicated cap too

(3) Turn the bottle upside-down and check that ink does not leak.



- Do not leave an ink bottle with the specialized cap attached in a location where it is exposed to light for a long period of time. Doing so can result in the ink in the bottle curing (hardening).

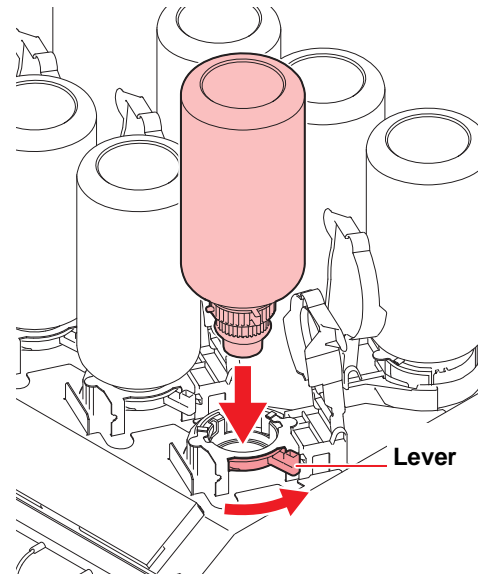
4

**Set the ink bottle on the tank.**

- Set the ink bottle while moving the lever on the tank completely to the right.

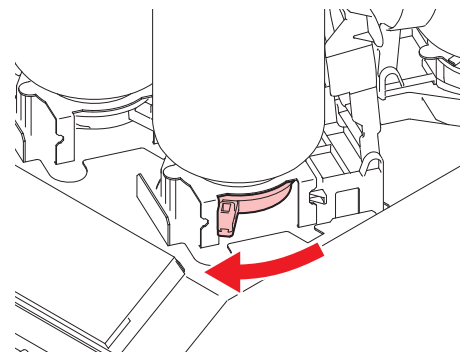


- Do not ever rotate the ink bottle at all after setting it into the tank. Doing so can result in ink leakage.



5

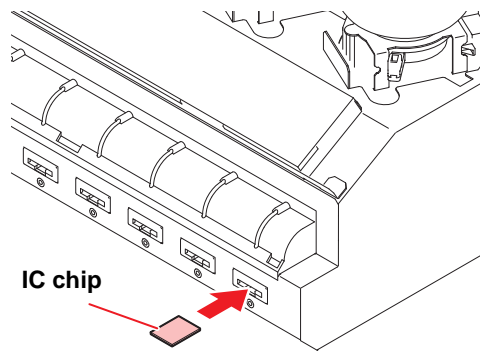
**Move the lever on the tank completely from the right to the left side.**



6

**Insert the IC chip.**

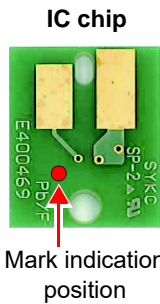
- Insert the IC chip with metal to upward. If you insert the wrong side by accident, it causes faulty or damage of the IC chip.
- Do not touch the metal part of the IC chip. It may break the IC chip by static, or may cause read error by stain or flaw.
- For the setting orders of the ink bottles, refer to P.6-5.





**Important!****About IC chip**

- The IC chip has information of ink color, remaining amount of ink, expiration data, etc. When setting the ink bottle, insert the IC chip packed with the ink bottle into the IC chip inserting port attached with the ink cover.
- If you set the IC chip not being the pair of the ink bottle, image quality defect etc. may occur.
- The mark indicating color information is pasted on the IC chip.



Ink color and indication mark

Ink color	Indication mark
Black	● (one black circle)
Cyan	● (one blue circle)
Magenta	● (one red circle)
Yellow	● (one yellow circle)
White	○ (one white circle)
Clear	○○ (two white circles)
Primer	○○○ (three white circles)
Light cyan	●● (two blue circle)
Light magenta	●● (two red circle)

**Replace the ink bottle****Important!**

- Be sure to use safety glasses.

Perform as follows when [INK END] or [INK NEAR END] is displayed on the display.

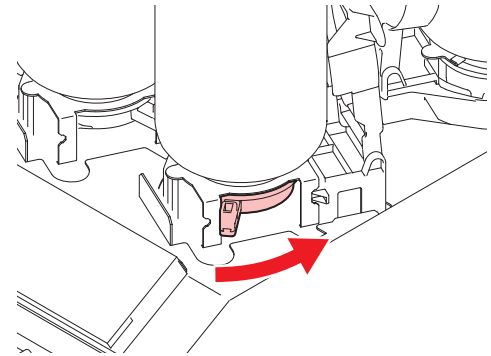
● **When [INK END] is displayed**

**1**

**Move the lever on the tank completely from the left to the right end.**

**Important!**

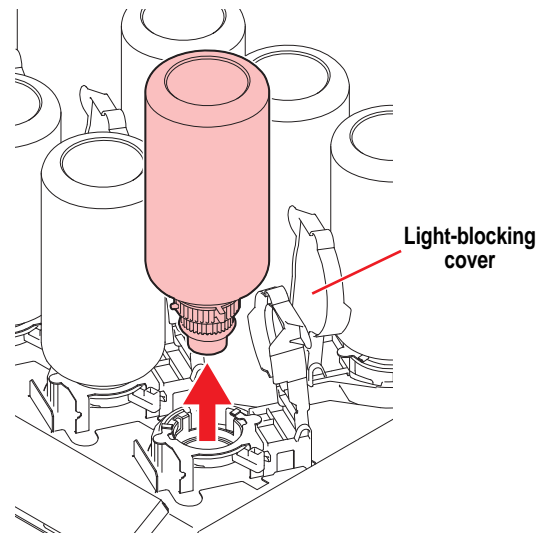
- Do not ever rotate the ink bottle at all after setting it into the tank. Doing so can result in ink leakage.

**2**

**Lift out the ink bottle while keeping it completely straight.**

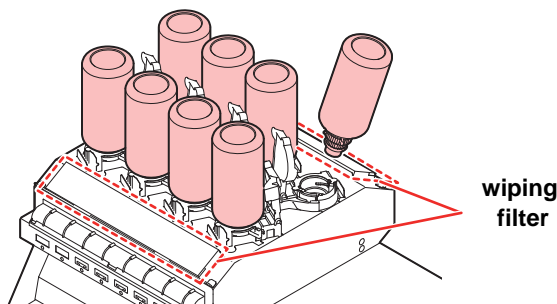
**Important!**

- Check that the light-blocking cover closes when removing the ink bottle from the tank. Close by hand if the cap does not close. Leaving the light-blocking cover open can result in the ink curing.
- Make sure that the ink is not leaking from the bottle.



1

### 3 Use the wiping filter to wipe off any ink.



### 4 Wipe off any ink adhering to the cap.

- (1) Set the bottle with cap upright and use a paper towel or the like to wipe off any ink adhering to the cap.



### 5 Remove the cap from the used ink bottle.

- Use the tightening jig to remove the cap if it is difficult to remove.

### 6 Refer to P.1-13 "Setting ink bottles" to set the new ink bottle.

**Important!**

- Do not leave an ink bottle with the specialized cap attached in a location where it is exposed to light for a long period of time. Doing so can result in the ink in the bottle curing.

#### ● When [INK NEAR END] is displayed

There is a little of ink left. It is recommended to replace the ink bottle soon since ink may become empty in printing while printing is continuously enabled.

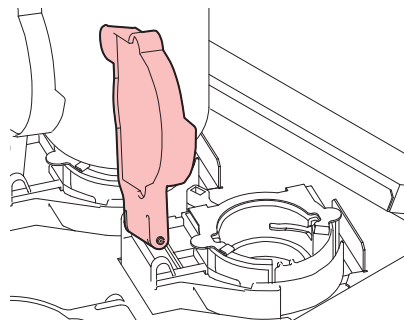
When you press the **ENTER** key in LOCAL mode, you can check the bottle to be replaced in the local guidance.

(P.3-32)

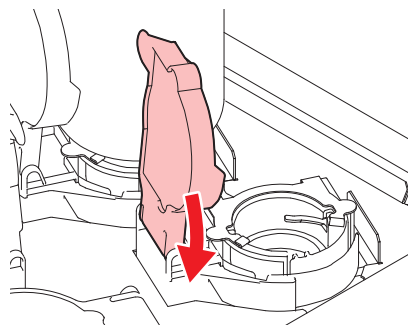
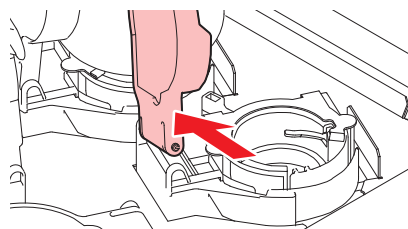
### If the light-blocking cover comes off

If the light-blocking cover comes off, light striking the inside of the tank can result in the ink curing. Perform the following procedures if the light-blocking cover comes off.

#### 1 Insert the nub (on one side) of the light-blocking cover into the hole on the tank.



#### 2 While pressing towards the side of the inserted hole of Step 1, insert the other nub into the other side.



## About ink expiration date

The ink expiration date is indicated on the Ink bottle. Expired ink may cause printing defects or alter the color tone. Printing is possible even if the ink has passed its expiration date. Nevertheless, we recommend replacing with new ink or use up as quickly as possible.

Ex.) The expiration date is April 2020

May : Replace with new ink or use up as quickly as possible. Printing is possible.

June: (LED Yellow Lighting) Replace with new ink or use up as quickly as possible. Printing is possible.

July : (LED Red Flashing) Printing is not possible.



- The message appears on the display.

## About ink end and ink near end

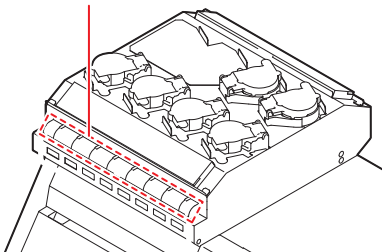
When very little ink remains in the ink bottle, the warning message "INK NEAR END" appears. It is recommended that you replace the ink bottle with a new one as soon as you can.

When no ink remains in the ink bottle, the warning message "INK END" appears. Replace the ink bottle with a new one.

## For Ink bottle lamps

The condition of the ink bottles set in the machine is confirmable with lamps located over the ink bottles.

Ink bottles lamps



Condition of Lamp	Description
Lit to blue	No error (ink is being supplied)
OFF	No error
Lit or blinks to yellow	One of the following errors occurs. <ul style="list-style-type: none"> <li>• Ink near-end</li> <li>• Expiration of a term of ink validity (one month)</li> </ul>
Blinks to red	Expiration of a term of ink validity (two months)
Lit to red	One of the following errors occurs. <ul style="list-style-type: none"> <li>• Ink end</li> <li>• No ink IC chip inserted</li> <li>• Other ink errors (P.5-6)</li> </ul>

## About Media

The sizes of media that can be used and the method of handling are described here.

### The sizes of media that can be used

	3042MkII/ 3042MkII EX	6042MkII
<b>Maximum width</b>	300 mm	610 mm
<b>Maximum length</b>	420 mm	420 mm
<b>Max. printing width</b>	300 mm	610 mm
<b>Max. printing length</b>	420 mm	420 mm
<b>Thickness</b>	(1) + (2) = 153mm or less (6inch) (1) Movable area 53mm (2)50mm spacers x 2 levels = 100mm	
<b>Weight</b>	5 kg or less	8 kg or less

### Precautions in handling the media

Carefully observe the following when handling the media.



#### • Extension and shrinkage of the media

Do not use the media in the sheet form shortly after the package was opened. The media could extend or shrink depending on the temperature and humidity inside the room. For more than 30 minutes after opening of the package, the media has to be exposed to the ambient air of the location it is to be used.

#### • Warping of the media

As for the media of the sheet form, use the flat one, or the one warping downward (the one with floating central part when placed the printing surface facing upward.) Store the media liable to be warped on the slightly smaller platform or palette so that it may warp downward.

#### • Other precautions

- Do not place any article on the surface of the coated paper. Some coated paper could change its color.
- Curled media that cannot be absorbed or the media that misaligns when the table is moved may not be used. Before using, fix the media with adhesive tape, etc.
- Do not use the media that will generate warping or deformation.

# Menu mode

This machine has three modes. Each mode is described below.

## ● Local

Local is a mode in printing preparation state.  
All keys are available.  
Receiving of data from the computer is allowed, however, printing is not executed.  
The following operations are allowed in the local.

- (1) Setting an origin and the table height by pressing the JOG keys.
- (2) Executing "Test printing" by pressing the [FUNC2](TEST PRINT/CLEANING) key.
- (3) Executing "head cleaning" by pressing the [FUNC2](TEST PRING/CLEANING) key.
- (4) Execute setting of each function by pressing the [FUNC1](MENU) key.

## ● Menu Mode

Press the [FUNC1](MENU) key during the Local Mode to call the Function Mode.  
In this mode, you can configure various settings or carry out the maintenance process.

## ● Remote

Remote is a mode in printing received data.  
Press the [FUNC3](REMOTE) key during printing to return to the local mode and temporarily stop the printing process.  
Press the [FUNC3](REMOTE) during the Local Mode to switch to the Remote.

# Chapter 2

## Basic Operations



### This chapter

describes procedures and setting methods for ink and media preparation, and printing.

Operation flow .....	2-2	Perform head cleaning depending on the test printing result .....	2-8
Turning the Power ON/OFF .....	2-3	Printing an image from source data .....	2-9
Turning the Power ON .....	2-3	Starting the printing operation.....	2-9
Turning the Power OFF .....	2-3	Interruption of printing.....	2-9
Setting the media .....	2-4	Checking printing data that is being received or has been received .....	2-10
Set the media in another method .....	2-6	When [! WORK High] is displayed .....	2-10
Test printing .....	2-7	If you open the cover during printing .....	2-10
Perform test printing with the test pattern for checking white ink .....	2-8		
Head Cleaning .....	2-8		
About head cleaning .....	2-8		

## Operation flow

1

Turning the Power ON

See "Turning the Power ON" (☞ P.2-3)

2

Setting the media

See "Setting the media" (☞ P.2-4)

3

Test printing

See "Test printing" (☞ P.2-7)

4

Head Cleaning

See "Head Cleaning" (☞ P.2-8)

5

Printing an image from source data

See "Printing an image from source data" (☞ P.2-9)

6

Turning the Power OFF

See "Turning the Power OFF" (☞ P.2-3)

# Turning the Power ON/OFF

## Turning the Power ON

This machine is provided with the following two power switches:

### Main power switch :

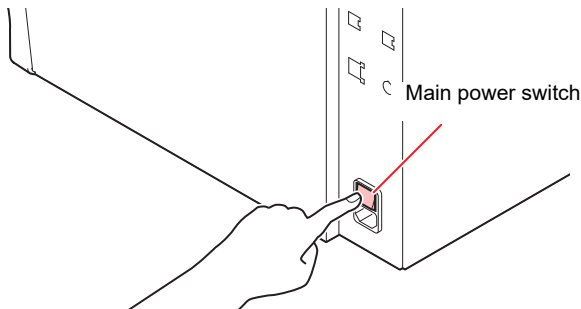
It is located on the side of this machine. Keep this switch ON all the time.

### [END/POWER] key :

Normally, use this key to turn the power ON/OFF. The function for preventing ink sedimentation works even with the [END/POWER] key turned OFF when the main power switch is turned ON.

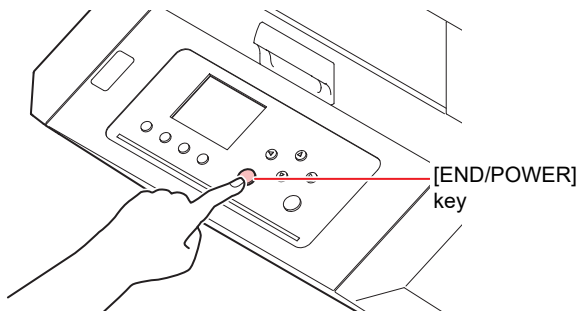
#### 1 Turn the main power switch ON.

- Set the main power switch located on the side of this machine to the "I" side.



- The firmware version is displayed when the power is turned ON, and then the machine performs its initial operation.

#### 2 Turn the power on, by pressing the [END/POWER] key.



#### 3 Turn ON the power of the connected PC.



- Turn the power ON after the front cover and maintenance cover are closed.
- The head nozzle may result in nozzle clogging if the main power switch is left OFF for a long time.

## Turning the Power OFF

When having ended the operation of the machine, turn the power OFF by pressing the [END/POWER] key.

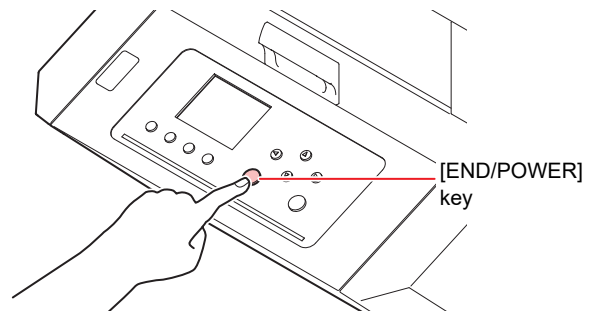
Check the following items when turning the power OFF.

- If the machine is receiving data from the PC or if there is any data that has not been output yet
- If the head has returned to the capping station
- If any error has occurred  
(☞ P.5-6 "Error messages")

#### 1 Turn OFF the power of the connected PC.

#### 2 Turn the power off, by giving the [END/POWER] key a long press.

- Do not turn OFF the main power switch located on the side of the machine.
- To use this machine again, press the [END/POWER] key.



## Cautions about Turning the Power OFF

### ● Do not turn the main power switch OFF.

When the main power switch is ON, the power periodically turns ON and the operation for preventing ink sedimentation is carried out.

When the main power switch has been turned OFF, the function for preventing ink sedimentation will not work, and this may cause nozzle clogging.

### ● Keep the front cover and the maintenance cover closed.

If the cover is opened, the function for preventing ink sedimentation does not work.

### ● Turn the power OFF after having checked the position of the head.

If the power is turned OFF in a state where the head has not returned to the capping station, the ink head dries, which may cause nozzle clogging.

In this case, turn the power ON again and check that the head has returned to the capping station, and then turn the power OFF.

### ● Do not turn the power OFF during printing.

The head may not return to the capping station.

### ● After having turned the power switch OFF by pressing [END/POWER] key, turn the main power switch OFF.

When turning the main power switch off for moving the machine or for solving the error or the like, press the [END/POWER] key a long time on the front of the machine, check the display is turned off on the operation panel, and then turn the main power switch off.

## Setting the media



- The peripheral parts of the media could roll up due to heat. Fix the media supplementary using adhesive tapes, etc.

### 1

#### Setting the media thickness.

- (1) Press the [FUNC1] (MENU) → [▼] (1 time) → [ENTER] key in LOCAL mode.
- (2) Select "MEDIA THICKNESS", and press the [ENTER] key.
- (3) Press [▲][▼] to set the media thickness, and press the [ENTER] key.



- When using a jig, enter the jig's height + the media thickness.
- Place the media so that concentrated load is prevented.

## Setting the Table Height

If the table height is changed, Media Thickness is also changed.

### 1

Press the **[FUNC1] (MENU)** → **[▼] → [ENTER]** key in LOCAL mode.

- HEAD HEIGHT MENU will be displayed.

### 2

Press **[▲]** **[▼]** to select "TABLE HEIGHT", and press the **[ENTER]** key.

### 3

Press **[▲]** **[▼]** to set the table height, and press the **[ENTER]** key.

Set value : 0.0 to 153.0mm



- The value to be entered varies by the number of table spacer.

### 4

Press the **[END/POWER]** key several times to end the setting.



## Change the Table Height

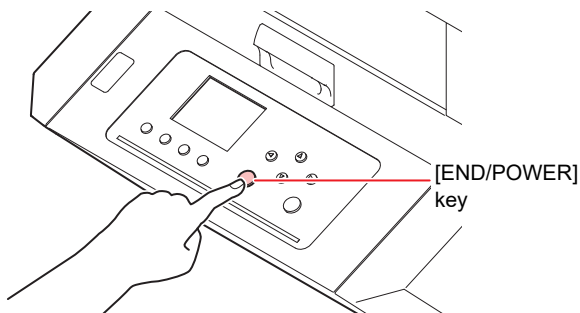
Depending on the media thickness, change the height of the table.

Work height	53 mm or less	53 to 103 mm	103 to 153 mm
Table spacer	2 pieces 100 mm	1 piece 50 mm	none (0mm)

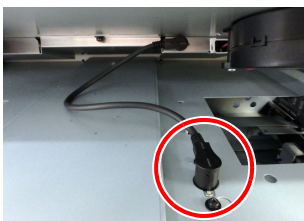
You can change the height of the table by replacing table spacers that support the table.

At the time of purchase, the table spacer has not been installed. The default setting of the table height is "0mm". This chapter explains the procedures to change the table height to "50mm".

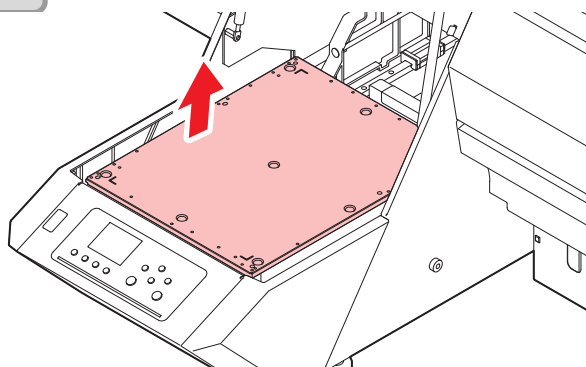
- 1** Turn the power off, by giving the **[END/POWER]** key a long press.



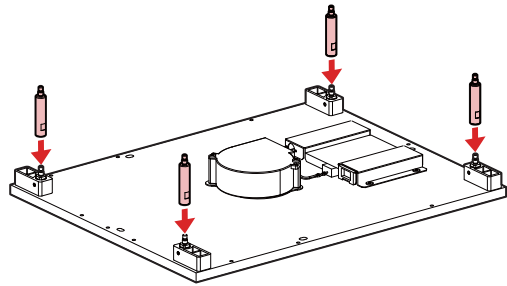
- 2** Pull out the suction fan connector which is under the table. (When using UJF-3042MkII EX/UJF-6042MkII or suction table)



- 3** Raise the table, and remove it.



- 4** Attach the table spacer.

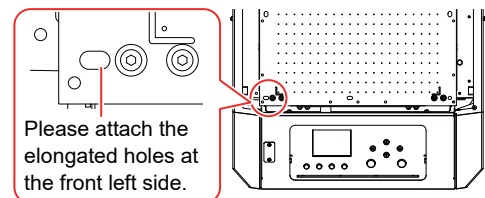


- 5** Attach the assembled table on the main body.

- (1) Attach the table on the original position.
- (2) Insert the connector for the vacuum fan. (only UJF-3042MkII EX/UJF-6042MkII)
- (3) Turn on the power supply.

**Important!**

- When mounting the table, please be careful the orientation of the table.



- 6** Press the **[FUNC1]** (MENU) in LOCAL mode.

- 7** Press **[▲]** **[▼]** to select "HEAD HEIGHT", and press the **[ENTER]** key.

- 8** Press **[▲]** **[▼]** to select "TABLE SPACER", and press the **[ENTER]** key.

- 9** Press **[▲]** **[▼]** to select a set value, and press the **[ENTER]** key.

- Set Value : 0mm / 50mm / 100mm

- 10** Press the **[END/POWER]** key several times to end the setting.

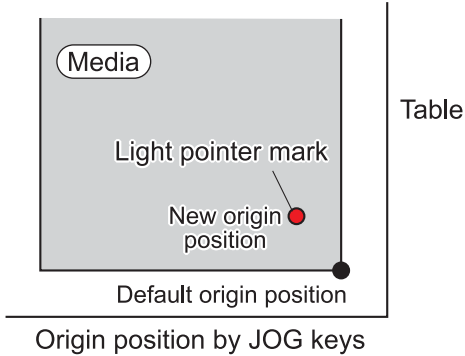
## Changing origin

The default origin position can be changed by pressing JOG keys [▲][▼][◀][▶].



- The origin can also be changed from "ORIGIN SETUP MENU". (P.3-6)

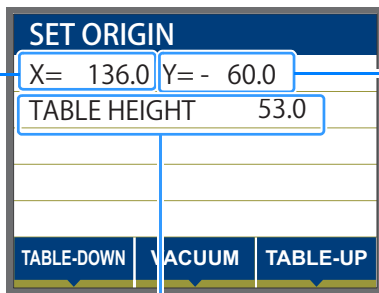
### Changing with the JOG keys



### 1 Press the ▲ ▼ ◀ ▶ keys in the local mode.

- The origin setting mode starts
- A red light pointer mark [●] is projected on the table or the media.

### 2 Move the light pointer mark by pressing the ▲ ▼ ◀ ▶ keys.



Origin Position (back and front)      Origin Position (height)      Origin Position (right and left)

- Move the light pointer mark to the position to set a new origin.

### 3 Press the ENTER key when the printing origin is determined.

- The origin is changed.



- The height of the table is also fixed at the same time. Adjust the height of the table by pressing the [FUNC1] key (down), the [FUNC3] key (up) in advance.
- The setting value for the origin set with the JOG keys is cleared by cutting the power.
- The setting of the table height holds even if turning off the power.

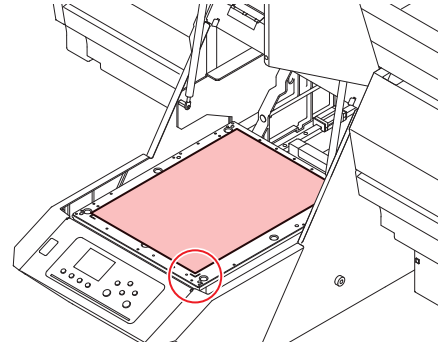
## Set the media in another method

You can lower the table to set media more easily.

### 1 Press the FUNC1 (MENU) → ENTER key in LOCAL mode.

- "WORK SET" will be displayed.
- The table moves down.

### 2 Set media along the L-shaped mark (print origin) on the right corner of the table.



- To change the printing origin, see the following page. (P.2-6 "Changing origin")
- To use tools, set into the shaves (8.0 mm-deep) on the corners of the table.

### 3 Press the ENTER key.

- The table moves up to the table height for drawing.

## About switching vacuum fan

The vacuum function to fix the media at printing automatically starts. (Only for UJF-3042MkII EX, UJF-6042MkII or when using an absorption table.)



- You can set the vacuum function operation. For details, refer to P.3-14 "Setting of FAN MODE."
- When you set the "Fan mode" of the setting mode to "Manual", switch ON/OFF by pressing the [SEL] and [FUNC1](VACCUUM).

# Test printing

Make test printing in the specified direction to check whether there is nozzle clogging or other printing failures (such as wearing or missing).



- When you use white or clear ink, print on the clear film to check.

## Check before starting test printing

- Is media set? (☞ P.2-4)
- Is origin point set? (☞ P.2-6)
- Is the table height appropriate? (☞ P.2-4)

### 1 Press the **FUNC2** (TEST PRINT/CLEANING) in the local, and press the **ENTER** key.

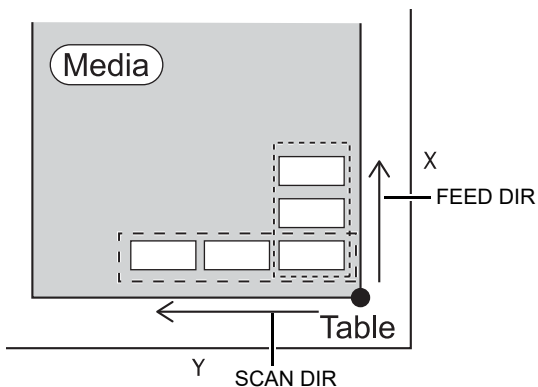
- TEST PRINT MENU will be displayed.

### 2 Press **▲** **▼** to select the printing direction, and press the **ENTER** key.

- When nozzle recovery is not set, test printing is started in the selected direction.
- SCAN DIR: Draws in the scan (widthwise) direction of the media.
- FEED DIR: Draws in the feed (longwise) direction of the media.



- When nozzle recovery is set, press **▲**/**▼** to set ON/ OFF and then press the **ENTER** key.
  - ON : Draws with nozzle recovery "ON".
  - OFF : Draws with nozzle recover "OFF".



- If the temperature of the head has not reached the predetermined value, a message is displayed. Printing is not allowed in such cases. When the display is disappeared, printing can be started.

### 3 Check result of printing.

- When the result is normal, finish the operation. (☞ P.2-9)
- When the result is abnormal, execute head cleaning. (☞ P.2-8)

	<b>Normal pattern</b>
<b>Nozzle drop out</b>	<b>Abnormal patterns</b>  Many lines are missing.
<b>Nozzle missing</b>	 The lines are missing as if the teeth are lost.
<b>Deflection</b>	 The distance between the lines is narrowing or double lines are formed.

## Perform test printing with the test pattern for checking white ink

It makes easier to check if print the background to the white ink locations in the pattern.

**1** Press the **FUNC2** (TEST PRINT/CLEANING), and press the **ENTER** key in LOCAL mode.

- TEST PRINT MENU will be displayed.

**2** Press **▲ ▼** to select "SpotColor Check".

**3** Press the **ENTER** key.

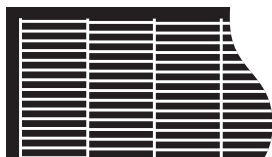
- Print a test pattern in the following orders.

- (1) Print the pattern daubed with black.
- (2) Return the media automatically and print the test pattern.

**4** Check the printed test pattern.

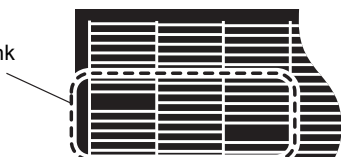
- When the result is normal, end the operation.
- When the result is abnormal, perform head cleaning. (P.2-8)

Normal pattern



Abnormal pattern

Clogged with ink



## Head Cleaning

### About head cleaning

Check the printed test pattern result and perform cleaning depending on the status.

Select one from the four types below:

**NORMAL** : When any line is missing

**SOFT** : When only head wiping is needed (when lines are bent)

**HARD** : When poor image quality cannot be improved even by NORMAL or SOFT cleaning

**ULTRA** : When poor image quality cannot be improved even by HARD cleaning, or when the color does not improve.

### Perform head cleaning depending on the test printing result

There are four types of head cleaning. Use one by checking the test pattern.

**1** Press the **FUNC2** (TEST PRINT/CLEANING) **→ ▼ → ENTER** key in LOCAL mode.

- CLEANING MENU will be displayed.

**2** Press **▲ ▼** to select the cleaning type.

**3** Press the **ENTER** key.

**4** Press **▲ ▼** to select the cleaning head, and press the **FUNC2** (✓).

- After selecting the head, press the [FUNC2] key and put a check in the check box. The head whose box has been checked will be cleaned.
- To have both head 1 and head 2 cleaned, put a check in both their check boxes.

**5** Press the **ENTER** key.

**6** Perform test printing again, and check the result.

- Repeat the cleaning and the test printing until the printing result becomes in normal.



**When the image quality is not improved after the head cleaning.**

- Clean the wiper and ink cap. (P.4-6)
- Wash the head nozzle. (P.4-9)
- Perform nozzle recovery. (P.4-15)

# Printing an image from source data

## Starting the printing operation



- If the temperature of the head has not reached the predetermined value, a message is displayed. Printing is not allowed in such cases. When the display is disappeared, printing can be started.



- Data transmission is allowed even if errors are displayed. Printing is started after the display is disappeared.

### 1 Set the media. (☞ P.2-4)

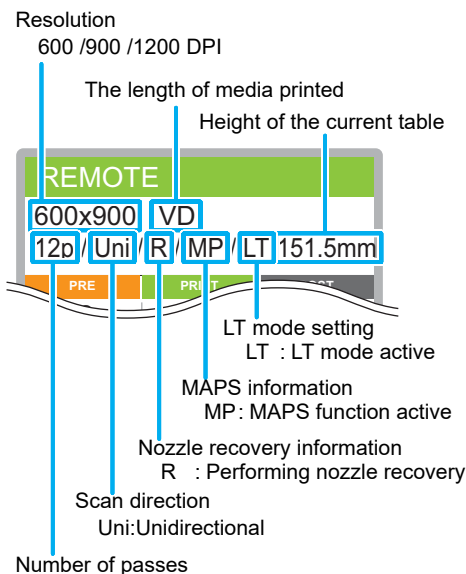
- When you set the FAN MODE setting (☞ P.3-14) to "MANUAL", press [SEL] and [FUNC1] (VACUUM) depending on the use and vacuum the media.

### 2 Press the **[FUNC3] (REMOTE)** in local.

- The machine goes in the remote mode and data from the computer can be received.
- The table height (including the vacuum table and the table spacer) is displayed.

### 3 Transmit data to be drawn from the computer.

- Printing conditions are displayed.
- As for the data transmission method, see the instruction manual of the output software.



- Use LT mode when you need more flexibility.
- When LT mode is enabled, UV light intensity is adjusted. Please check the printing status.

### 4 Start printing.

- The printing origin is not changed after completion of the printing.

### 5 Taking out the media after completion of printing.

- (1) When you made vacuum "ON", Press the [FUNC1] (VACUUM) to turn the adsorption "OFF".

(Only for UJF-3042MkII EX, UJF-6042MkII or when using an absorption table.)



- When you use the vacuum function of the vacuum table to draw, turn "OFF" the vacuum when printing has been completed.

- (2) Remove the media.



- During printing, media may be heated by the LED UV and raised, causing printing to be interrupted. In this case, set new media and restart printing.

## Interruption of printing

To interrupt printing, stop the printing operation and erase the received data from the machine.

### 1 Press **[FUNC3] (LOCAL)** while printing.

- Printing operation stops.
- When data is transmitted from the computer, the computer stops transmission of data.



- To restart printing, press the [FUNC3] (REMOTE).

### 2 Press the **[SEL]** key once.

- "DATA CLEAR" appears on the lower line of the display.

### 3 Press **[FUNC3] (DATACLEAR)**.

### 4 Press the **[ENTER]** key.

- Received data is erased and the machine returns to the local mode. The tabel moves to the evacuation position.

## Checking printing data that is being received or has been received

When printing is interrupted or print data is received on the local mode, the warning message "DATA REMAIN" appears on the display.

At this time, if you press the [FUNC3] (REMOTE) to migrate to the remote, printing is started or restarted.

## When [! WORK High] is displayed

When warning message "! WORK High" is displayed on the screen and the printing operation stops during printing, restart printing with the procedures below:



- During printing, the sensor always monitors the media height. When the gap check function (P.3-3) is set to "OFF", if the sensor detects the media, the printing operation is interrupted automatically, and "! WORK High" is displayed on the screen.

**1**

Press the **ENTER** key.

- The screen returns to LOCAL.

**2**

Check the media setting status, and press the **FUNC3** (REMOTE).

- The machine restarts printing.
- If you do not wish to restart printing, refer to the P.2-9 "Interruption of printing" and interrupt printing.

## If you open the cover during printing

If you open the cover during printing, the warning message "Reset a switch" is displayed on the screen.

**1**

Close the cover and press the **ENTER** key to suspend printing.

- Machine starts initialization.



- If the cover is opened while printing is not performed, "Close the cover." is shown on the display. In this case, press the [ENTER] key

# Chapter 3

## Setup



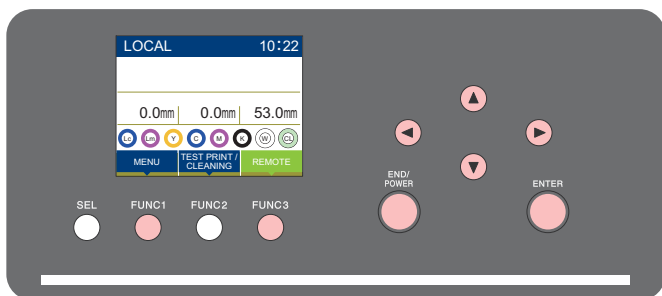
### This chapter

describes the various setting of this machine.

About Head Height MENU .....	3-2	Setting of SUCTION WIPER.....	3-17
Head Height MENU table .....	3-2	About MACHINE SETUP MENU.....	3-18
Setting the Media Thickness .....	3-3	MACHINE SETUP MENU table.....	3-19
Setting the HEAD GAP .....	3-3	Setting a AUTO Power-off .....	3-20
Gap check .....	3-3	Setting Time.....	3-20
Table spacer .....	3-4	Setting Unit (Length).....	3-20
About ORIGIN SETUP MENU .....	3-6	Setting a KEY BUZZER.....	3-21
ORIGIN SETUP MENU table .....	3-6	Setting the network.....	3-21
Setting the X offset (REM) .....	3-7	Setting event mail function.....	3-22
Setting the Y offset (REM) .....	3-7	Setting a LANGUAGE.....	3-26
Setting the X offset (LOC) .....	3-7	Setting a Ionizer (Option).....	3-26
Setting the Y offset (LOC) .....	3-7	Recognize connection options.....	3-26
Setting the Z origin .....	3-8	Initializing the Settings.....	3-26
Changing the origin using the JOG keys....	3-8	Setting the time of the head temperature to standby .....	3-27
About SETUP MENU .....	3-10	About NOZZLE CHECK MENU .....	3-28
SETUP MENU table .....	3-11	INFORMATION MENU table .....	3-28
Setting of Media Correction.....	3-12	Printing Check Flow.....	3-29
Setting of LOGICAL SEEK.....	3-12	Printing Operations at “Nozzle Missing” Judg- ment and Error Occurrence .....	3-29
Setting of INK LAYERS.....	3-13	Setting the Printing Check .....	3-30
Setting of REFRESH LEVEL.....	3-13	Setting the NOZZLE RECOVERY .....	3-30
Setting of UV MODE .....	3-13	Setting the Judgment Condition.....	3-30
Setting of WORK CHANGE .....	3-13	About INFORMATION MENU .....	3-31
Setting of FAN MODE .....	3-14	INFORMATION MENU table .....	3-31
Setting of AUTO CLEANING.....	3-14	Displaying the Information .....	3-32
Setting of PRINT FLUSHING LEVEL.....	3-14		
Setting of MAPS4.....	3-15		
Setting of the Misregistration adjust .....	3-16		
Setting of LT mode.....	3-17		

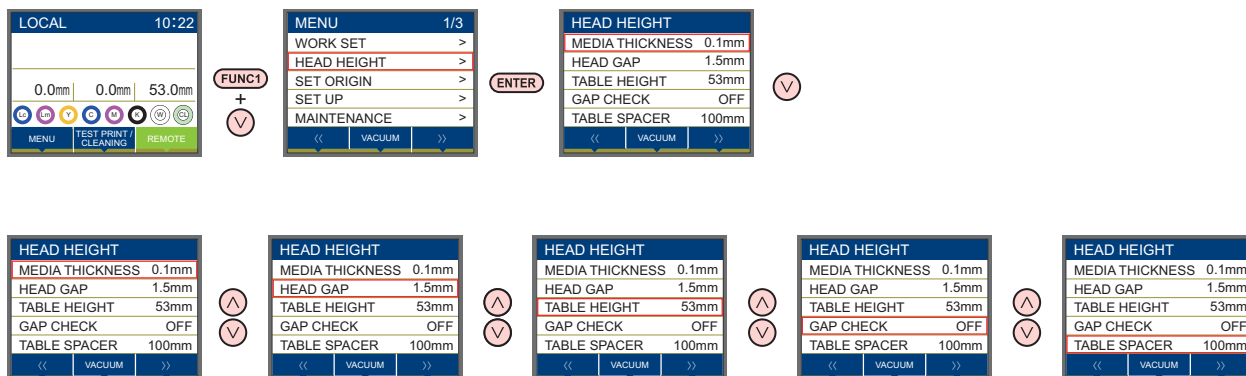
# About Head Height MENU

On SETUP MENU, you can set the print conditions to match the media you usually use.



- FUNC1** : Press this to select Head Height MENU, or to switch to the previous screen.
- FUNC3** : Press this to switch to the next screen.
- ▲ ▼** : Use these to select a setting item.
- ENTER** : Press this to confirm a setting, etc..

## ◆ SETUP MENUs at-a-glance



## Head Height MENU table

Function name	Set value	Default	Outline
MEDIA THICKNESS (☞ P.3-3)	0.0 to 53.0mm	0.0mm	Setting the thickness of media.
HEAD GAP (☞ P.3-3)	1.5 to 5.0mm	1.5mm	Setting the head gap.
TABLE HEIGHT (☞ P.2-4)	0.0 to 53.0mm	53.0mm	Setting the height of the table.
GAP CHECK (☞ P.3-4)	ON/ OFF	ON	Selecting an operation when obstacles are detected during printing.
TABLE SPACER (☞ P.3-4)	0, 50, 100mm	100mm	Set the length of the table spacer you are using.



## Setting the Media Thickness

If the media thickness is changed, Table Height is also changed.

- 1 Press the **FUNC1 (MENU)** → **▼** → **ENTER** key in LOCAL mode.
  - HEAD HEIGHT MENU will be displayed.
- 2 Press **▲▼** to select "MEDIA THICKNESS", and press the **ENTER** key.
- 3 Press **▲▼** to set the media thickness, and press the **ENTER** key.
  - Set value : 0.0 to 53mm
- 4 Press the **END/POWER** key several times to end the setting.

## Setting the HEAD GAP

If the head gap is changed, Table Height is also changed.

- 1 Press the **FUNC1 (MENU)** → **▼** → **ENTER** key in LOCAL mode.
  - HEAD HEIGHT MENU will be displayed.
- 2 Press **▲▼** to select "HEAD GAP" **ENTER** key.
- 3 Press **▲▼** to set the table spacer, and press the **ENTER** key.
  - Setting value : 1.5 to 5.0 mm
- 4 Press the **END/POWER** key several times to end the setting.

## Gap check

Select operation when obstacles are detected during printing.

- 1 Press the **FUNC1 (MENU)** → **▼** → **ENTER** key in LOCAL mode.
  - HEAD HEIGHT MENU will be displayed.
- 2 Press **▲▼** to select "GAP CHECK", and press the **ENTER** key.

- 3 Press **▲▼** to select the mode, and press the **ENTER** key.

- Set value: ON, OFF
- When "ON" is selected:
  - You can select the behavior.

Select one from the three types below:

**AUTO:** Before drawing, the work height is checked with the specified table height (media thickness). Before and during drawing, if the work sensor is shielded, the table is lowered until it is unshielded to change the table height. If the work sensor is shielded when the table is lowered to the bottom, a message of [WORK High] appears and the operation stops.

**MANUAL:** You can manually set the height of the work. (Gap Set)

It does not check the work height before and during printing.



- Please check the work height visually before printing since there is a possibility to hit the work and the head.

**STOP:** Before drawing, the work height is checked with the specified table height (media thickness), and if the work sensor is shielded, a message of [WORK High] appears and the operation stops.

- When "OFF" is selected:
  - Print without a check of the work height.



- Please check the work height visually before printing since there is a possibility to hit the work and the head.

Mode	Obstacle sensor		Operation during sensor response	
	Before drawing	During drawing		
ON	AUTO	Active	Active	Lower the table
	MANUAL	Inactive	Inactive	None
	STOP	Active	Active	Stop (Do not lower the table)
OFF	Inactive	Inactive	None	None

- 4 Press the **END/POWER** key several times to end the setting.

**Important!**

- The gap check function is not a function to avoid the head hit completely by detecting obstacles. It is also possible to lower the detection accuracy by the shape and material of the work. Even when the GAP CHECK is "ON", be sure to check the work height visually before drawing.

## Table spacer

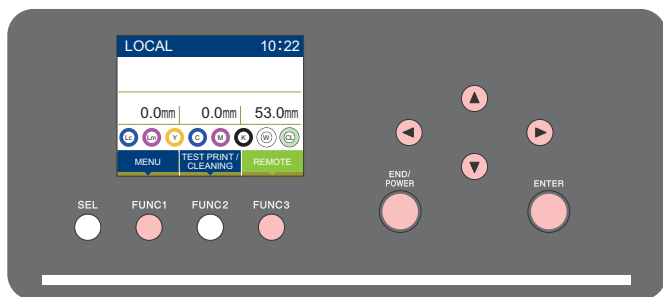
Set the length of the table spacer you are using.

- 1** Press the **FUNC1 (MENU)** → **▼** → **ENTER** key in **LOCAL** mode.
  - HEAD HEIGHT MENU will be displayed.
- 2** Press **▲** **▼** to select “Table spacer”, and press the **ENTER** key.
- 3** Press **▲** **▼** to select the table spacer, and press the **ENTER** key.
  - Set value: 0 mm, 50 mm, 100 mm
- 4** Press the **END/POWER** key several times to end the setting.



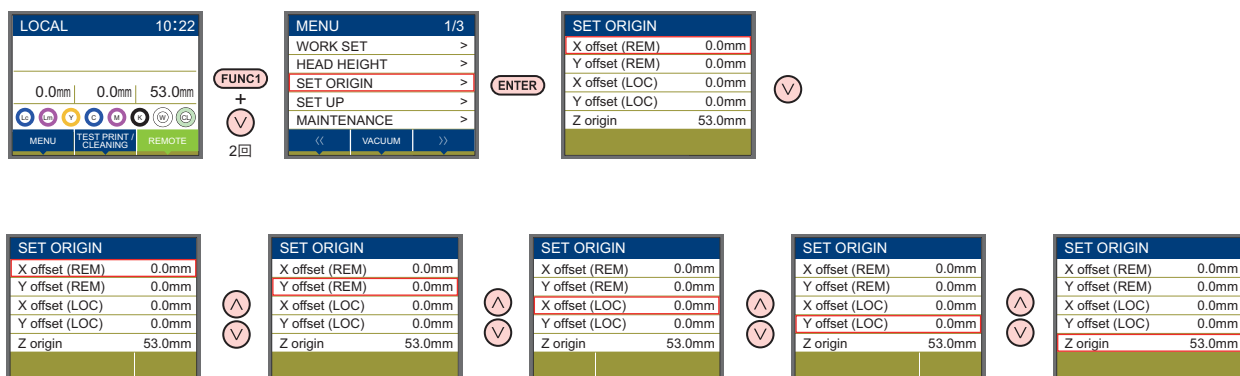
# About ORIGIN SETUP MENU

Common settings are functions for using this machine easily.  
The following items can be set in Origin settings.



- FUNC1** : Press this to select ORIGIN SETUP MENU, or to switch to the previous screen.
- FUNC3** : Press this to switch to the next screen.
- ▲ ▼** : Use these to select a setting item.
- ENTER** : Press this to confirm a setting, etc..

## ◆ SETUP MENUS at-a-glance



## ORIGIN SETUP MENU table

Function name	Set value	Initial value	Outline
X offset (REM) (🔧 P.3-7)	0.0mm~420.0mm	0.0mm	Set the origin position of X-axis of the online printing. (offset value)
Y offset (REM) (🔧 P.3-7)	0.0mm~300.0mm(3042MkII/3042MkII EX) 0.0mm~610.0mm(6042MkII)	0.0mm	Set the origin position of Y-axis of the online printing. (offset value)
X offset (LOC) (🔧 P.3-7)	0.0mm~420.0mm	0.0mm	Set the origin position of X-axis of the built-in pattern such as test print. (offset value)
Y offset (LOC) (🔧 P.3-7)	0.0mm~300.0mm(3042MkII/3042MkII EX) 0.0mm~610.0mm(6042MkII)	0.0mm	Set the origin position of Y-axis of the built-in pattern such as test print. (offset value)
Z origin (🔧 P.3-8)	0.0mm~53.0mm	0.0mm	Setting the Z origin (table height).

### Setting the X offset (REM)

Use the following steps to accurately set the X origin of the online print.

- 1 Press the **FUNC1** (MENU) in LOCAL mode.
- 2 Press **▲▼** to select "SET ORIGIN", and press the **ENTER** key.
- 3 Press **▲▼** to select "X offset (REM)", and press the **ENTER** key.
- 4 Press **▲▼** to set the X-axis origin position, and press the **ENTER** key.
  - The value in the parentheses indicates the distance from the origin to the maximum effective area.
- 5 Press the **END/POWER** key several times to end the setting.

### Setting the Y offset (REM)

Use the following steps to accurately set the Y origin of the online print.

- 1 Press the **FUNC1** (MENU) in LOCAL mode.
- 2 Press **▲▼** to select "SET ORIGIN", and press the **ENTER** key.
- 3 Press **▲▼** to select "Y offset (REM)", and press the **ENTER** key.
- 4 Press **▲▼** to set the Y-axis origin position, and press the **ENTER** key.
  - The value in the parentheses indicates the distance from the origin to the maximum effective area.
- 5 Press the **END/POWER** key several times to end the setting.

### Setting the X offset (LOC)

Use the following steps to accurately set the X origin of the built-in pattern such as test print.

- 1 Press the **FUNC1** (MENU) in LOCAL mode.
- 2 Press **▲▼** to select "SET ORIGIN", and press the **ENTER** key.
- 3 Press **▲▼** to select "X offset (LOC)", and press the **ENTER** key.
- 4 Press **▲▼** to set the X-axis origin position, and press the **ENTER** key.
  - The value in the parentheses indicates the distance from the origin to the maximum effective area.
- 5 Press the **END/POWER** key several times to end the setting.

### Setting the Y offset (LOC)

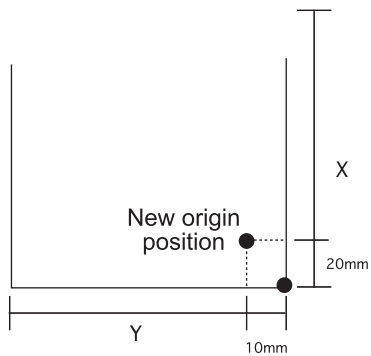
Use the following steps to accurately set the Y origin of the built-in pattern such as test print.

- 1 Press the **FUNC1** (MENU) in LOCAL mode.
- 2 Press **▲▼** to select "SET ORIGIN", and press the **ENTER** key.
- 3 Press **▲▼** to select "Y offset (LOC)", and press the **ENTER** key.
- 4 Press **▲▼** to set the Y-axis origin position, and press the **ENTER** key.
  - The value in the parentheses indicates the distance from the origin to the maximum effective area.
- 5 Press the **END/POWER** key several times to end the setting.

## Setting the Z origin

- 1 Press the **[FUNC1]** (MENU) in LOCAL mode.
- 2 Press **[▲][▼]** to select "SET ORIGIN", and press the **[ENTER]** key.
- 3 Press **[▲][▼]** to select "Z origin", and press the **[ENTER]** key.
- 4 Press **[▲][▼]** to set the origin position of Z-axis, and press the **[ENTER]** key.
- 5 Press the **[END/POWER]** key several times to end the setting.

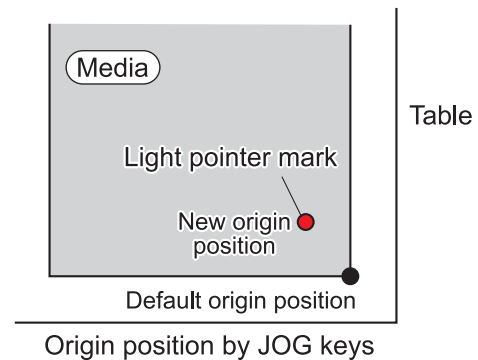
Changing with the "ORIGIN" in the FUNCTION menu



## Changing the origin using the JOG keys

You can also change the origin using the JOG keys.

Changing with the JOG keys

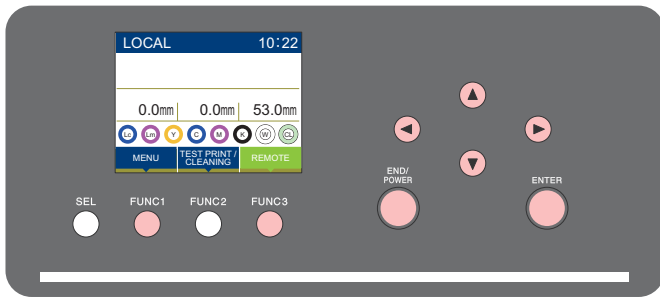


- 1 Press **[▲][▼][◀][▶]** keys in local.
    - The origin setting mode starts
    - A red light pointer mark [●] is projected on the table or the media.
  - 2 Press **[▲][▼][◀][▶]** to move the light pointer mark
    - Move the light pointer mark to the position to set a new origin.
  - 3 Press the **[ENTER]** key to set the print origin.
    - The origin is changed.
- Important!**
- The height of the table is also fixed at the same time. Adjust the height of the table by pressing the [TABLE-UP][TABLE-DOWN] keys in advance.
  - The setting value for the origin set with the JOG keys is cleared by cutting the power.
  - The setting of the table height holds even if turning off the power.



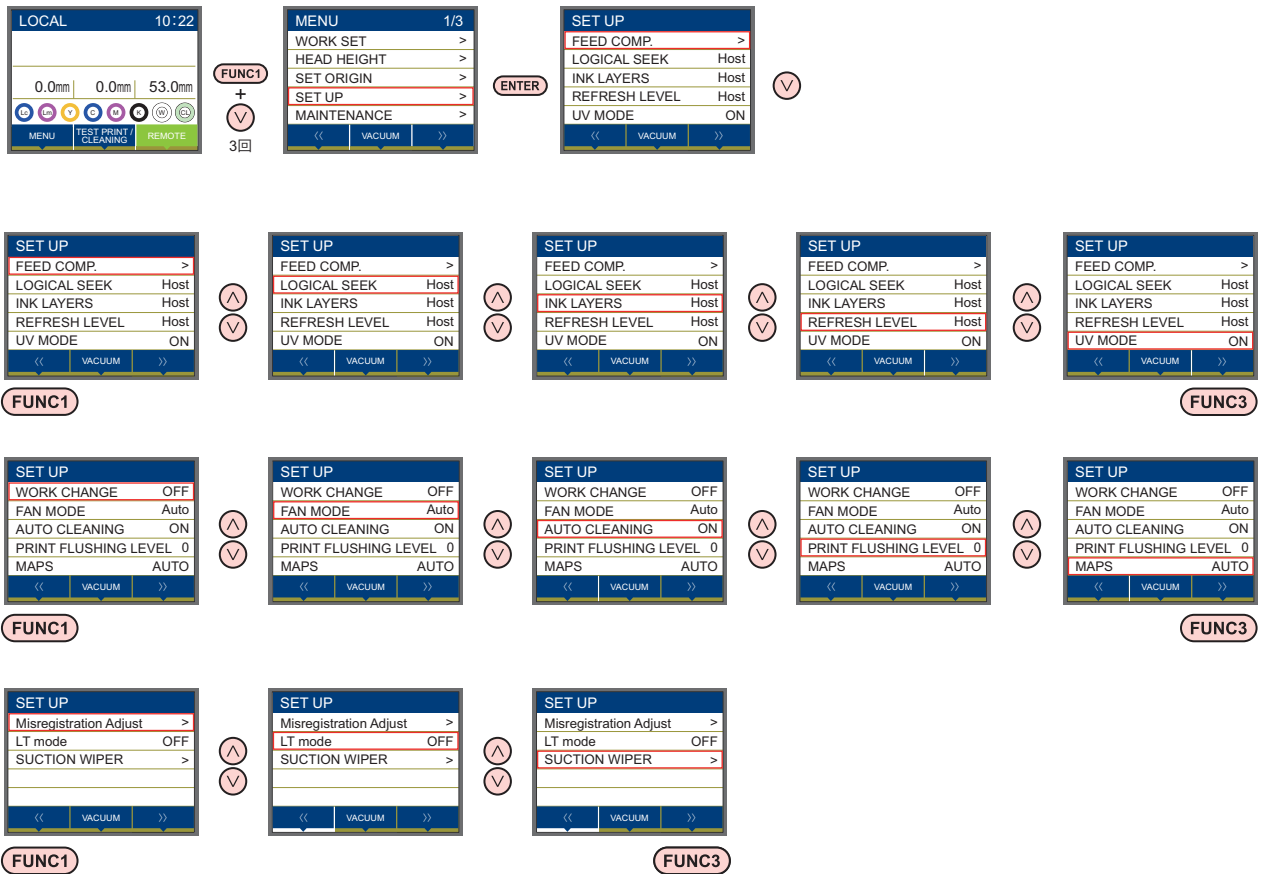
# About SETUP MENU

On SETUP MENU, you can set the print conditions to match the media you usually use.



- FUNC1** : Press this to select SETUP MENU, or to switch to the previous screen.
- FUNC3** : Press this to switch to the next screen.
- ▲ ▼** : Use these to select a setting item.
- ENTER** : Press this to confirm a setting, etc..

## ◆ SETUP MENUs at-a-glance





## SETUP MENU table



- For each setting item below, you can set it so that the machine may operate according to the value specified when you printed from your RIP software in the connected host PC.
- **Set Item** : FEED COMP./INK LAYER/Logical Seek/REFRESH
- When you operate the machine according to the contents specified with the RIP software, set each item to "Host" when registering this machine type. When you set it other than "Host", the machine operates according to the machine setting.
- For the specifying method with the RIP software, refer to the operation manual of the RIP software.

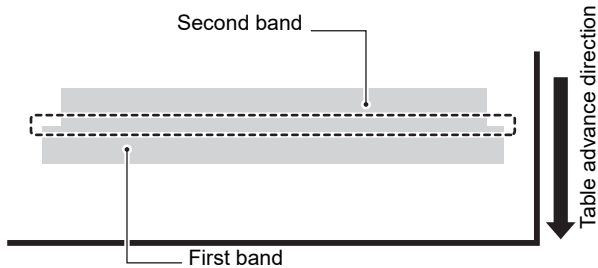
Function name		Set value	Initial value	Outline
FEED COMP. (☞ P.3-12)		-9999 ~ 0 ~ 9999	0	Used to print a pattern for correcting a media-feeding rate and correct it.
LOGICAL SEEK (☞ P.3-12)		HOST / ON / OFF	HOST	Sets the scan movable area during printing.
INK LAYERS (☞ P.3-13)		HOST / 1 ~ 9	HOST	Sets the number of layers in which ink is to be applied.
REFRESH LEVEL (☞ P.3-13)		HOST / 10 ~ 3	HOST	Sets the interval of refresh performed during printing.
UV MODE (☞ P.3-13)		ON / OFF / NO PRINT	ON	Sets the UV irradiation during printing.
WORK CHANGE (☞ P.3-13)		ON / OFF	OFF	Set whether to return to the local mode or keep the remote mode after online drawing.
FAN MODE (☞ P.3-14)		AUTOMATIC/MANUAL	AUTO	Sets the vacuum function.
AUTO CLEANING (☞ P.3-14)		ON / OFF	ON	Sets the automatic cleaning operation for the head performed before printing.
PRINT FLUSHING LEVEL (☞ P.3-14)		0 ~ 3	0	Sets the flushing amount before printing.
MAPS4 (☞ P.3-15)		MANUAL / AUTO	AUTO	Perform setting to reduce stripes between passes.
Misregistration adjust (☞ P.3-16)	Feed Direction	-8 ~ 0 ~ 8	0	Correct the mis-registration occurs at printing the color/spot color version.
	Feed Direction			
	Reverse Print	-2.00 ~ 0.00 ~ 2.00mm	0.00	
LT mode (☞ P.3-17)		ON / OFF	OFF	Set LT mode when you need more flexibility than the default UV mode print.
SUCTION WIPER (☞ P.3-17)	WIPING AFTER PRINT	SELECT HEAD	6042MkII : HEAD1 to 3 3042MkII : HEAD1 to 2	6042MkII : HEAD4 3042MkII : HEAD3 Displayed only when SUCTION WIPER is in use. Set the heads for executing WIPING AFTER PRINT and EXEC INTERVAL.
		EXEC INTERVAL	FILE/WORK CHANGE (FILE: 1 to 5)	

## Setting of Media Correction

A pattern for media correction is printed and a feeding rate is corrected.



- Two bands are printed in the correction pattern.
- Make adjustment so that an even color density is obtained in the boundary between the two bands.



**1** Set a media. (☞ P.2-4)

**2** Press the **FUNC1 (MENU)** key in the local mode.

**3** Press **▲ ▼** to select "Setting", then press the **ENTER** key

- The setting menu is displayed.

**4** Press **▲ ▼** to select "FEED COMP.", and press the **ENTER** key.

**5** Press **ENTER** the key to print a correction pattern.

**6** Check the correction pattern and enter a correction value.

- A screen for entering the correction value will be displayed.
- **Enter a correction value in "+":**  
The boundary between the two bands is widened.
- **Enter a correction value in "-":**  
The boundary between the two bands is narrowed.
- When you change the correction value by "1", the width of the boundary changes by about 0.83µm.

**7** Press the **ENTER** key.

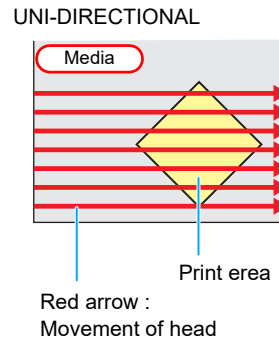
- Print a correction pattern again and check it.
- When media correction is needed, perform the operation in Step 5 to make correction.

**8** Press the **END/POWER** key several times to end the setting.

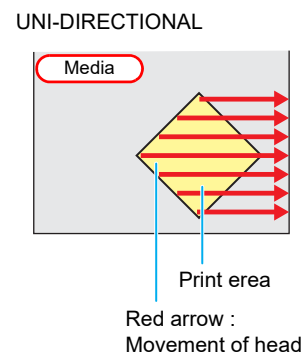
## Setting of LOGICAL SEEK

The head's operation varies depending on the LOGICAL SEEK settings, as shown in the figure below.

**Movement of heads when LOGICAL seek is "OFF"**



**Movement of heads when LOGICAL seek is "ON"**



**1** Press the **FUNC1 (MENU)** key in the local mode.

**2** Press **▲ ▼** to select "Setting", then press the **ENTER** key

- The setting menu is displayed.

**3** Press **▲ ▼** to select "LOGICAL SEEK", and press the **ENTER** key.

**4** Press **▲ ▼** to select a set value, and press the **ENTER** key.

- Set value : HOST / ON / OFF

**5** Press the **END/POWER** key several times to end the setting.

## Setting of INK LAYERS

Set the number of times for over painting.

- 1 Press the **FUNC1** (MENU) key in the local mode.
- 2 Press **▲ ▼** to select "Setting", then press the **ENTER** key
  - The setting menu is displayed.
- 3 Press **▲ ▼** to select "INK LAYERS", then press the **ENTER** key.
- 4 Press **▲ ▼** to select a set value, and press the **ENTER** key.
  - Set value : 1 to 9 times
- 5 Press the **END/POWER** key several times to end the setting.

## Setting of REFRESH LEVEL

Set the refreshing level for preventing the head from clogging in a dusty environment. The larger level number indicates more frequent refreshing times.

- 1 Press the **FUNC1** (MENU) key in the local mode.
- 2 Press **▲ ▼** to select "Setting", then press the **ENTER** key
  - The setting menu is displayed.
- 3 Press **▲ ▼** to select "REFRESH", and press the **ENTER** key.
- 4 Press **▲ ▼** to select a set value, and press the **ENTER** key.
  - Set value : HOST / Level 0 to 3
- 5 Press the **END/POWER** key several times to end the setting.

## Setting of UV MODE

The mode of the LED UV may be set in 3 stages. This setting is made when the media vulnerable to the heat is used or when the test drawing is made in which the lighting of the LED UV is not desired.

ON	The LED UV is lit.
OFF	The LED UV is not lit.

NO  
PRINT

The drawing is not performed and only the LED UV is lit. Use when drawing is performed without the LED UV is lit etc., and when you wish to make it cure afterward.

- 1 Press the **FUNC1** (MENU) key in the local mode.
- 2 Press **▲ ▼** to select "Setting", then press the **ENTER** key
  - The setting menu is displayed.
- 3 Press **▲ ▼** to select "UV MODE", and press the **ENTER** key.
- 4 Press **▲ ▼** to select a set value, and press the **ENTER** key.
  - Set value : ON/OFF/NO PRINT
- 5 Press the **END/POWER** key several times to end the setting.

## Setting of WORK CHANGE

Set whether to return to LOCAL or to remain at REMOTE to set media after on-line drawing.

- 1 Press the **FUNC1** (MENU) key in the local mode.
- 2 Press **▲ ▼** to select "Setting", then press the **ENTER** key
  - The setting menu is displayed.
- 3 Press the **FUNC3** (>>).
- 4 Press **▲ ▼** to select "WORK CHANGE", and press the **ENTER** key.
- 5 Press **▲ ▼** to select a set value, and press the **ENTER** key.
  - Set value : ON/ OFF
- 6 Press the **END/POWER** key several times to end the setting.

## Setting of FAN MODE

You can set whether the vacuum function to fix the media set on the table is performed automatically or you perform it manually.

The factory default is "AUTOMATIC".

(Only for UJF-3042MkII EX, UJF-6042MkII or when using an absorption table.)

- 1 Press the **FUNC1 (MENU)** key in the local mode.
- 2 Press **▲ ▼** to select "Setting", then press the **ENTER** key
  - The setting menu is displayed.
- 3 Press the **FUNC3 (>>)**.
- 4 Press **▲ ▼** to select "FAN MODE", and press the **ENTER** key.
- 5 Press **▲ ▼** to select a set value, and press the **ENTER** key.
  - Set value : AUTOMATIC/ MANUAL
- 6 Press the **END/POWER** key several times to end the setting.
  - When AUTOMATIC is selected, the fan automatically starts to operate at print start.



## Setting of AUTO CLEANING

Set whether auto-head cleaning is executed or not at the following intervals before drawing.

- 1 Press the **FUNC1 (MENU)** key in the local mode.
- 2 Press **▲ ▼** to select "Setting", then press the **ENTER** key
  - The setting menu is displayed.
- 3 Press the **FUNC3 (>>)**.
- 4 Press **▲ ▼** to select "AUTO CLEANING", and press the **ENTER** key.
- 5 Press **▲ ▼** to select a set value, and press the **ENTER** key.
  - Set value : ON/ OFF
- 6 Press the **END/POWER** key several times to end the setting.

## Setting of PRINT FLUSHING LEVEL

When using a clear acrylic jig and so on, the ink may splash on the print result as the ink on the nozzles thickens due to stray light.

If this happens, increase the flushing amount before printing to prevent ink from splashing.

- 1 Press the **FUNC1 (MENU)** key in the local mode.
  - 2 Press **▲ ▼** to select "Setting", then press the **ENTER** key
    - The setting menu is displayed.
  - 3 Press the **FUNC1 (<<)**.
  - 4 Press **▲ ▼** to select "PRINT FLUSHING", and press the **ENTER** key.
  - 5 Press **▲ ▼** to select a set value, and press the **ENTER** key.
    - Set value : Level 0 to 3
- Important!**
- If you are using the printer in an environment subject to stray light, select level 2. Level 2 uses the same flushing amount as cleaning. If the same error still occurs, change the setting to level 3. If you can print without problem in level 2 and you are concerned about the amount of ink consumed, change the setting to level 1.
  - For the amount of ink consumed for each level, see the following.
 

Level 0:	0.003 cc
Level 1:	0.007 cc
Level 2:	0.015 cc
Level 3:	0.024 cc
- 6 Press the **END/POWER** key several times to end the setting.

## Setting of MAPS4

If performing media correction does not resolve feeding stripes, use the MAPS (Mimaki Advanced PassSystem) function to disperse the pass boundary to make the feeding stripes less visible.

- 1 Press the **FUNC1 (MENU)** key in the local mode. → Press the **ENTER** key.
- 2 Press **▲ ▼** to select "Setting 1 to 4", then press the **ENTER** key
  - The setting menu is displayed.
- 3 Press the **FUNC3 (>>)**. (2 times)
- 4 Press **▲ ▼** to select "MAPS4", and press the **ENTER** key.
- 5 Press the **ENTER** key.
  - Set value: Auto/Manual
  - If you select MANUAL in Step 6, proceed to Step 8.
- 6 Press **▲ ▼** and select "Smoothing Level", then press the **ENTER** key.
- 7 Press **▲ ▼** to change the smoothing level and press the **ENTER** key.
  - Set value: 0~100%(set in units of 5%)
  - The MAPS effect become strong as the set value increase, and become weak as the set value decrease.
- 8 Press the **END/POWER** key several times to end the setting.

## Setting of the Misregistration adjust

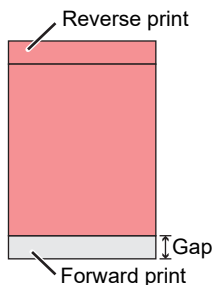
It is used when the mis-registration occurs at printing the color/spot color version.

- 1** Press the **(FUNC1)** (MENU) key in the local mode.
- 2** Press **(▲)** **(▼)** to select "Setting", then press the **(ENTER)** key
  - The setting menu is displayed.
- 3** Press the **(FUNC3)** (>>).
- 4** Press **(▲)** **(▼)** to select "Misregistration adjust", and press the **(ENTER)** key.
- 5** Press **(▲)** **(▼)** to choose "feed direction", "scan direction" or "reverse print".
  - Feed direction:** correct the mis-registration of feed direction
  - Scan direction:** correct the mis-registration of scan direction
  - Reverse print:** correct the mis-registration of feed direction in the forward print (color to spot color) and reverse print (spot color to color)
- 6** Press the **(ENTER)** key.
  - If you select the feed direction or scan direction in Step 5 proceed to Step 7.
  - If you select the reverse print in Step 5, enter the deviation amount of feed direction of forward print and reverse print in 0.01mm unit.(See figure below).

When the result of reverse print is

  - above against the forward print > enter the "minus" value.
  - lower against the forward print > enter the "plus" value.

**Printing:** Print the adjustment pattern.



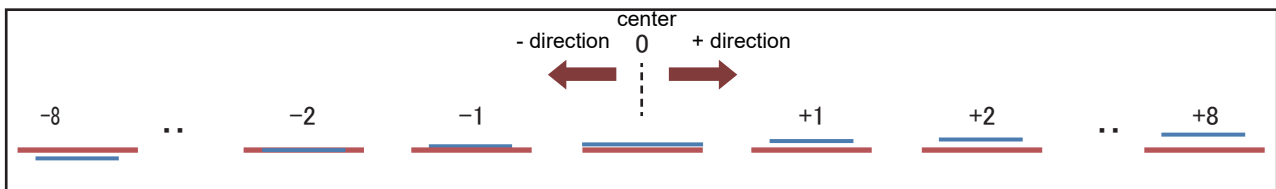
\* Use transparent media with the A4 landscape size or more in Y direction.

**Set Adjust:** back to Step6.

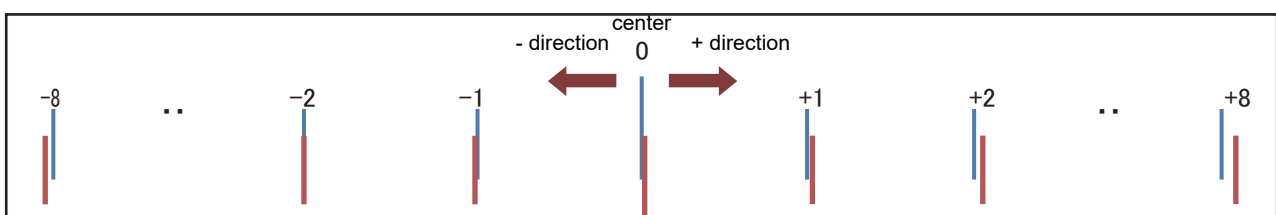
- 7** Press **(▲)** **(▼)** to select the resolution to adjust, and press the **(ENTER)** key.
  - Feed direction:** 600dpi/900dpi/1200dpi
  - Scan direction:** 600dpi/1200dpi
- 8** Press **(▲)** **(▼)** to select "Print" or "Set Adjust", and press the **(ENTER)** key.
  - print:** print the adjustment pattern.
  - \*Use transparent media with the A4 landscape size or more in Y direction.
  - Set Adjust:** back to Step 7.
- 9** Print the adjustment pattern.
  - The straight line of the central pattern (correction value is 0) is a little longer than others both for the feed direction and scan direction.
- 10** Check the adjustment pattern (see figure below), and enter the adjustment value.
  - Input screen of the correction value is displayed.
  - Choose the number that two lines are overlapped to clean in the adjustment pattern and enter to the correction value.
  - In the case of the figure below, for the best pattern is "-2", enter "-2" in correction value.
- 11** Press the **(END/POWER)** key several times to end the setting.

## Adjustment pattern

Feed direction



Scan direction



## Setting of LT mode

- 1 Press the **FUNC1** (MENU) key in the local mode.
- 2 Press **▲ ▼** to select "Setting", then press the **ENTER** key.
  - The setting menu is displayed.
- 3 Press the **FUNC3** (>>).
- 4 Press **▲ ▼** to select "LT mode", and press the **ENTER** key.
- 5 Press **▲ ▼** to select a set value, and press the **ENTER** key.
  - Set value : ON / OFF
- 6 Press the **END/POWER** key several times to end the setting.

- Important!**
- Since UV light intensity adjustment is performed, check the print performance (stickiness, odor etc.) before using the LT mode.
  - Effective condition

Ink type	Resolution	Pass	Media
LUS120	600 x 600	8 pass	UV PET

## Setting of SUCTION WIPER

Set the head that executes WIPING AFTER PRINT and the execution interval.

- 1 Press the **FUNC1** (MENU) key in the local mode.
- 2 Press **▲ ▼** to select "Setting", then press the **ENTER** key.
  - The setting menu is displayed.
- 3 Press the **FUNC3** (>>).
- 4 Press **▲ ▼** to select "SUCTION WIPER", and press the **ENTER** key.
- 5 Press the **ENTER** key.
  - WIPING AFTER PRINT menu is displayed.
- 6 Press the **ENTER** key.
  - SELECT HEAD menu is displayed.
- 7 Press **▲ ▼** to select the heads for WIPING AFTER PRINT, then press **FUNC2** (✓).
  - Only heads with check boxes selected will be suction-wiped after printing.
  - Head 4 (Head 3 with 3042MkII) is always selected.
- 8 Press the **ENTER** key.

- 9 Press **▲ ▼** to select "EXEC INTERVAL", and press the **ENTER** key.

- 10 Press the **ENTER** key.
  - EXEC INTERVAL setting menu is displayed.

- 11 Press **▲ ▼** to select the set value, and press the **ENTER** key.

- Set value: FILE/WORK CHANGE
- When set value is set to "FILE", proceed to Step 12. Otherwise, proceed to Step 14.

- 12 Press **▲ ▼** to select "Interval", and press the **ENTER** key.

- 13 Press **▲ ▼** to change interval, and press the **ENTER** key.

- Set value: 1 to 5

- Important!**
- When the set value is set to "FILE", wiping after print will only be performed at set intervals.
  - When the set value is set to "WORK CHANGE", wiping after print will only be performed at the time of work change.

- 14 Press the **END/POWER** key several times to end the setting.





## MACHINE SETUP MENU table

Function name		Set value		Default	Meaning		
AUTO Power-off		OFF / 10min to 600min		30min	If no operation is input for the specified period of time, the power is automatically turned off.		
TIME (P.3-20)		+4h ~ -20h		Japan time	Time difference is corrected.		
mm/ inch (P.3-20)		mm / inch		mm	A unit for displaying length is set.		
KEY BUZZER (P.3-21)		OFF / ON		ON	A buzzer sound when keys are pressed is set.		
NETWORK (P.3-21)	Set the network.						
	Check IP Addr.		The IP address currently used by this machine is displayed.				
	Check MAC Addr.		The IP address currently used by this machine is displayed.				
	DHCP		ON / OFF	OFF	When it is ON, the IP address given by the DHCP server is used.		
	AutoIP		ON / OFF	OFF	When it is ON, the IP address is determined by the AutoIP protocol. However, DHCP is "ON", DHCP has priority.		
EVENT MAIL	Mail Delivery (P.3-22)		ON / OFF		OFF	Set whether you send/ do not send the e-mail when the set event occurs.	
	Select Event (P.3-22)	Print Start Event		ON / OFF	OFF	Set whether you send/ do not send the e-mail at the start of printing.	
		Print End Event		ON / OFF	OFF	Set whether you send/ do not send the e-mail at the end of printing.	
		Error Event		ON / OFF	OFF	Set whether you send/ do not send the e-mail when a error occurs.	
		Warning Event		ON / OFF	OFF	Set whether you send/ do not send the e-mail when a warning occurs.	
		Other Event		ON / OFF	OFF	Set whether you send/ do not send the e-mail when an event other than the above occurs.	
	Mail Address (P.3-23)		Set the e-mail address to which you send the event mail.		Alphanumeric characters and symbols (within 96 characters)		
	Message Subject (P.3-23)		Set the characters to write in the subject of the event mail.		Alphanumeric characters and symbols (within 8 characters)		
	Server Setup (P.3-23)	SMTP Address		Set the SMTP server.			
		SMTP Port No.		Set the SMTP port number.			
		SENDER ADDRESS		Set the e-mail address to be used as the sender mail address.			
		Authentication	POP before SMTP		Set the SMTP server authentication method (SMTP authentication).		
			SMTP Authentication				
			OFF				
User Name *1		Set the user name used for the authentication.					
Pass Word *2		Set the password used for the authentication.					
POP3 Address *2		Set the POP server.					
APOP *3		Set ON/ OFF of APOP.					
Transmit Test (P.3-24)		Send the test e-mail.					
LANGUAGE (P.3-26)		English / 日本語 / Deutsch / Español / Italiano / 中文 / Turkish		English	Displayed language is changed.		
Ionizer		ON / OFF		OFF	Set the operation for the Ionizer(option).		
SET OPTION JIG		Recognize option jigs.					
SETUP RESET(P.3-26)		All setting values are returned to the status default.					
HEAD TEMP.STANDBY TIME		5min ~ 15min		5min	Set the time until head temperature goes to standby.		

\*1. Settable only when Auth. is not OFF.

\*2. Settable only when Auth. is POP before SMTP.

\*3. Displayed only when the option is enabled.

## Setting a AUTO Power-off

When no operation has been performed for the set time, the power supply is automatically turned "OFF".

- 1 Press the **FUNC1** (MENU) in LOCAL mode.
- 2 Press **▲▼** to select "Machine Setup", and press the **ENTER** key.
- 3 Press **▲▼** to select "AUTO POWER OFF", and press the **ENTER** key.
- 4 Press **▲▼** to select a set value, and press the **ENTER** key.
  - Set Value : OFF / 10 to 600min
- 5 Press the **END/POWER** key several times to end the setting.

**Important!**

- If the machine received data from the PC in the auto-power-off status, the power supply is turned ON, however, printing operation is not started automatically.

## Setting Time

You can set time of your country (time difference).

- 1 Press the **FUNC1** (MENU) → **FUNC3** (>>) → **ENTER** key in LOCAL mode.
  - MACHINE SETUP MENU will be displayed.
- 2 Press **▲▼** to select "TIME", and press the **ENTER** key.
- 3 Press **▲▼◀▶** to enter time, and press the **ENTER** key.
  - Hour/Minute/Second/Time selecting: by the [**◀**][**▶**] keys.
  - Hour/Minute/Second/Time inputting: by the [**▲**][**▼**] keys.
- 4 Press the **END/POWER** key several times to end the setting.



- -20 hours to +4 hours can be set.

## Setting Unit (Length)

Units used by this machine are set.

- 1 Press the **FUNC1** (MENU) → **FUNC3** (>>) → **ENTER** key in LOCAL mode.
  - MACHINE SETUP MENU will be displayed.
- 2 Press **▲▼** to select a set value, and press the **ENTER** key.
  - Set value of length : mm / inch
- 3 Press the **END/POWER** key several times to end the setting.

## Setting a KEY BUZZER


You can turn off the buzzer sound when pressing the key.

- 1** Press the **FUNC1 (MENU)** → **FUNC3 (>>)** → **ENTER** key in LOCAL mode.
  - MACHINE SETUP MENU will be displayed.
- 2** Press **▲▼** to select “KEY BUZZER”, and press the **ENTER** key.
- 3** Press **▲▼** to select a set value, and press the **ENTER** key.
  - Set value : ON/ OFF
- 4** Press the **END/POWER** key several times to end the setting.



- When the key buzzer is set to "OFF", the buzzer sound for errors, warnings, operation completion, etc. cannot be shut off.

## Setting the network

- 1** Press the **FUNC1 (MENU)** → **FUNC3 (>>)** → **ENTER** key local mode.
    - MACHINE SETUP MENU will be displayed.
  - 2** Press **▲▼** to select “NETWORK”, and press the **ENTER** key.
  - 3** Press **▲▼** to select “CHECK IP ADDRESS”, and press the **ENTER** key.
    - The IP address currently used by this machine is displayed.
    - When you have finished the check, press the [ENTER] key.
-  • After connecting with the network, it takes time until the IP address is determined. If the IP address has not been determined, “0.0.0.0” is displayed.
- 4** Press **▲▼** to select “CHECK MAC ADDRESS”, and press the **ENTER** key.
    - The MAC address currently used by this machine is displayed.
    - When you have finished the check, press the [ENTER] key.
  - 5** Press **▲▼** to select “DHCP”, and press the **ENTER** key.
  - 6** Press **▲▼** to select a set value, and press the **ENTER** key.
    - Set value : ON/ OFF
    - When it is "ON", the IP address given by the DHCP server is used.
  - 7** Press **▲▼** to select “AutoIP”, and press the **ENTER** key.
  - 8** Press **▲▼** to select a set value, and press the **ENTER** key.
    - Set value : ON/ OFF
    - When it is "ON", the IP address is determined by the AutoIP protocol. However, DHCP is "ON", DHCP has priority.
  - 9** Press **▲▼** to select “IP ADDRESS”, and press the **ENTER** key.

**10** Press   to select a set value, and press the  key.

**11** Press the  key several times to end the setting.



- To reflect network setting, once turn off the power supply and turn it on again.

### Setting event mail function

Set the function to send e-mails to the set e-mail address when events such as cutting start/ end and stop due to an error.

- Disclaimer
- The customer is responsible for the communication fee for Internet communication such as e-mail notification.
- The notification by the event mail function may not be delivered due to Internet environment, failure of the device/ the power supply, etc. Mimaki has absolutely no responsibility for any damages or loss resulting from non-delivery or delays.



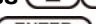
- Important!**
- You can use event mail function by connecting LAN to this machine. Please prepare for LAN cable connection beforehand.
  - Not compatible with SSL communication.

### Enable the event mail function

**1** Press the    key in LOCAL mode.  
• MACHINE SETUP MENU will be displayed.


**2** Press   to select “EVENT MAIL”, and press the  key.

**3** Press   to select “MAIL DELIVERY”, and press the  key.



**4** Press   to select “ON”, and press the  key.




**5** Press the  key several times to end the setting.

### Set the event to send an event mail

**1** Press the    key local mode.  
• MACHINE SETUP MENU will be displayed.

**2** Press   to select “EVENT MAIL”, and press the  key.

**3** Press   to select “SELECT EVENT”, and press the  key.

**4** Press   to select the "ON" or "OFF" of the event, then press the  key.

- Select the ON / OFF of the event in the order shown in the table below.
- After the ON / OFF setting, please proceed to the next event settings by pressing the [ENTER] key.
- Press the [END / POWER] key when you return to the previous setting.

Event name	Outline
PRINT START	Sets sending/not sending of an email when printing starts.
PRINT END	Sets sending/not sending of an email when printing ends.
ERROR	Sets sending/not sending of an email when printing is stopped due to occurrence of an error.
WARNING	Sets sending/not sending of an email when a warning occurs during printing.
OTHER	Sets sending/not sending of an email when an event other than the above occurs.

**5** Press the  key several times to end the setting.

## Set the e-mail address

- 1 Press the **FUNC1** (MENU) → **FUNC3** (>>) → **ENTER** key local mode.
  - MACHINE SETUP MENU will be displayed.
- 2 Press **▲▼** to select “EVENT MAIL”, and press the **ENTER** key.
- 3 Press **▲▼** to select “MAIL ADDRESS”, and press the **ENTER** key.
- 4 Press **▲▼◀▶** to set mail address, and press the **ENTER** key.
  - Set the e-mail address to which you send the event mail.
  - Set it with alphanumeric characters and symbols within 96 characters.
- 5 Press the **END/POWER** key several times to end the setting.

## Set the subject

- 1 Press the **FUNC1** (MENU) → **FUNC3** (>>) → **ENTER** key local mode.
  - MACHINE SETUP MENU will be displayed.
- 2 Press **▲▼** to select “EVENT MAIL”, and press the **ENTER** key.
- 3 Press **▲▼** to select “MESSAGE SUBJECT”, and press the **ENTER** key.
- 4 Press **▲▼◀▶** to set subject, and press the **ENTER** key.
  - Set the characters to write in the subject of the event mail.
  - Set it with alphanumeric characters and symbols within 8 characters.
- 5 Press the **END/POWER** key several times to end the setting.

## Set the server

- 1 Press the **FUNC1** (MENU) → **FUNC3** (>>) → **ENTER** key in LOCAL mode.
  - MACHINE SETUP MENU will be displayed.
- 2 Press **▲▼** to select “EVENT MAIL”, and press the **ENTER** key.
- 3 Press **▲▼** to select “SERVER SETUP”, and press the **ENTER** key.
- 4 Press **▲▼** to select “SMTP ADDRESS”, and press the **ENTER** key.
- 5 Press **▲▼◀▶** to set SMTP Address, and press the **ENTER** key.
  - Press the jog key [**▲**][**▼**][**◀**][**▶**] to set SMTP address.
  - Input the SMTP address name.
  - Set it with alphanumeric characters and symbols within 40 characters.
- 6 Press **▲▼** to select “SMTP PORT No.”, and press the **ENTER** key.
- 7 Press **▲▼** to set SMTP Port No., and press the **ENTER** key.
  - Set the SMTP port number.
- 8 Press **▲▼** to select “SENDER MAIL ADDR”, and press the **ENTER** key.
- 9 Press **▲▼◀▶** to set SENDER MAIL ADDRESS, and press the **ENTER** key.
  - Press [**▲**][**▼**][**◀**][**▶**] and set the e-mail address to be used as the sender mail address.
  - Set it with alphanumeric characters and symbols within 64 characters.
  - Depending on your server, if you do not set the e-mail address not supporting the account, sending/ receiving e-mails may be unavailable.
- 10 Press **▲▼** to select “AUTHENTICATION”, and press the **ENTER** key.
- 11 Press **▲▼** to set authentication method, and press the **ENTER** key.
  - Set the authentication method of the SMTP server.
  - When you select [OFF], proceed to the Step 20.

- 12** Press **▲▼** to select “USER NAME”, and press the **ENTER** key.
- 13** Press **▲▼◀▶** to set User Name, and press the **ENTER** key.
- Press **▲▼◀▶** to set the user name to use for the authentication.
  - Set it with alphanumeric characters and symbols within 30 characters.
- 14** Press **▲▼** to select “PASSWORD”, and press the **ENTER** key.
- 15** Press **▲▼◀▶** to set Pass Word, and press the **ENTER** key.
- Press **▲▼◀▶** to set the password to use for the authentication.
  - Set it with alphanumeric characters and symbols within 15 characters.
  - On the password setting screen, you can only check the value that you are currently inputting.
  - When you select [POP before SMTP] in the Step 9, set the items in the Step 14 to 17.
- 16** Press **▲▼** to select “POP3 ADDRESS”, and press the **ENTER** key.
- 17** Press **▲▼◀▶** to set POP3 Address, and press the **ENTER** key.
- Press **▲▼◀▶** to set POP server.
  - Input the POP server name.
  - Set it with alphanumeric characters and symbols within 40 characters.
- 18** Press **▲▼** to select “APOP”, and press the **ENTER** key.
- 19** Press **▲▼** to set ON/ OFF, and press the **ENTER** key.
- 20** Press the **END/POWER** key several times to end the setting.

## Send a test e-mail

- 1** Press the **FUNC1 (MENU) → FUNC3 (>>)** **ENTER** key local mode.
- MACHINE SETUP MENU will be displayed.
- 2** Press **▲▼** to select “EVENT MAIL”, and press the **ENTER** key.
- 3** Press the **FUNC3 (>>) → ENTER** key.
- “TRANSMIT TEST EXECUTE” will be displayed.
- 4** Press the **ENTER** key.
- The sent result is displayed.
  - If sending test e-mail has failed, an error code is displayed.  
Refer to the next page to solve the problem.

```

TRANSMIT TEST
FAILED: 12345 <ent>

```

Error code

- 5** Press the **END/POWER** key several times to end the setting.



- The sent result of the test e-mail is the result of e-mail sending process performed by this machine to the e-mail server. It does not indicate that the e-mail was received at the address.
- If the spam e-mail filter etc. has been set in the terminal in which e-mails are received, even if "Sending has been completed" is displayed, the e-mail cannot be received in some cases.
- If sending test e-mail has failed, the error code below is displayed.
- If the error cannot be solved, try again after a while.
- For the server setting etc., contact with the network administrator or the provider.

Error Code	The expected casus	Remedy
10	Network connection error	<ul style="list-style-type: none"> <li>• Check that the machine is connected with the network.</li> <li>• Check that the machine IP address is correct.</li> <li>• Check that the machine is in the environment where DNS is available.</li> </ul>
20	No valid e-mail address.	<ul style="list-style-type: none"> <li>• Enter the correct e-mail address.</li> </ul>
11003 11004	The POP server cannot be found. Or cannot access DNS server.	<ul style="list-style-type: none"> <li>• Check the POP server address.</li> <li>• Check that the machine is in the environment where DNS is available.</li> </ul>
11021	Cannot connect with the POP server.	<ul style="list-style-type: none"> <li>• Check the POP server setting.</li> <li>• Check the firewall setting.</li> </ul>
12010	An error returns from the POP server.	<ul style="list-style-type: none"> <li>• Check the POP server setting.</li> </ul>
13000	The POP authentication has failed.	<ul style="list-style-type: none"> <li>• Check the user name and the password.</li> <li>• Check the APOP setting.</li> <li>• Confirm the authentication method.</li> </ul>
10013 10014	The SMTP server cannot be found. Or cannot access DNS server.	<ul style="list-style-type: none"> <li>• Check the SMTP server address.</li> <li>• Check that the machine is in the environment where DNS is available.</li> </ul>
10021	Cannot connect with the SMTP server.	<ul style="list-style-type: none"> <li>• Check the SMTP server setting.</li> <li>• Check the SMTP port number.</li> <li>• Check the firewall setting.</li> </ul>
10*** 11*** 20*** 21***	An error returns from the SMTP server. Or, there was no response.	<ul style="list-style-type: none"> <li>• Check the SMTP server setting.</li> <li>• Cannot communicate with a server that requires mandatory SSL communication.</li> <li>• Check protocol filter settings.</li> </ul>
12***	It is invalid sender address.	<ul style="list-style-type: none"> <li>• Check that the e-mail address supporting the account entered in the user name/ the password is set in SENDER ADDRESS.</li> </ul>
13***	The e-mail address cannot be found. Or, it is invalid sender address.	<ul style="list-style-type: none"> <li>• Check the e-mail address.</li> <li>• Even if there is a mistake in the e-mail address, this error cannot be detected in some cases.</li> <li>• Check that the e-mail address supporting the account entered in the user name/ the password is set in SENDER ADDRESS.</li> </ul>
22000 22008	SMTP authentication error	<ul style="list-style-type: none"> <li>• Confirm the authentication method.</li> </ul>
23*** 24*** 25***	The SMTP authentication has failed.	<ul style="list-style-type: none"> <li>• Check the user name and the password.</li> </ul>



## Setting a LANGUAGE

You can change the displayed language.

- 1 Press the **FUNC1 (MENU)** → **FUNC3 (>>)** → **ENTER** key local mode.
- 2 Press **▲▼** to select "LANGUAGE", and press the **ENTER** key.
- 3 Press **▲▼** to select language, and press the **ENTER** key.
  - Set Value : 日本語 / English / Deutsch / Español / Italiano / 中文 / Turkish
- 4 Press the **END/POWER** key several times to end the setting.

## Setting a Ionizer (Option)

When the optional ionizer is connected, select "ON" to remove static electricity.

For safety instructions and precautions, refer to the "Instruction Manual for Ionizer" for UJF-3042MkII/6042MkII.

**Important!** • Displayed only when the Ionizer option is enabled.

- 1 Press the **FUNC1 (MENU)** → **FUNC3 (>>)** key in LOCAL mode.
- 2 Press **▲▼** to select "MACHINE SETUP", and press the **ENTER** key.
  - MACHINE SETUP MENU will be displayed.
- 3 Press **▲▼** to select "Ionizer", and press the **ENTER** key.
  - The setting of "Ionizer" is selected.
- 4 Press **▲▼** to select set value, and press the **ENTER** key.
  - If you select "ON," the device moves the table in order to remove static electricity from all the printing surfaces according to the printing data before the printing operation starts.
- 5 Press the **END/POWER** key several times to end the setting.

## Recognize connection options

Recognize the option when installing the Kebab option.

- 1 Press the **FUNC1 (MENU)** → **FUNC3 (>>)** key in LOCAL mode.
- 2 Press **▲▼** to select "MACHINE SETUP", and press the **ENTER** key.
  - MACHINE SETUP MENU will be displayed.
- 3 Press **▲▼** to select "SET OPTION JIG", and press the **ENTER** key.
- 4 Connect the Kebab MkII option, and press the **ENTER** key.
  - Display the recognized options.
- 5 Press the **END/POWER** key several times to end the setting.

## Initializing the Settings

You can return the setting of "SETUP", "MAINTENANCE" and "MACHINE SETUP" to the status before shipment.

- 1 Press the **FUNC1 (MENU)** → **FUNC3 (>>)** → **ENTER** key in LOCAL mode.
- 2 Press **▲▼** to select "MACHINE SETUP", and press the **ENTER** key.
  - MACHINE SETUP MENU will be displayed.
- 3 Press **▲▼** to select "SETUP RESET", and press the **ENTER** key.
- 4 Press the **ENTER** key.
  - The already configured settings are initialized.
- 5 Press the **END/POWER** key several times to end the setting.



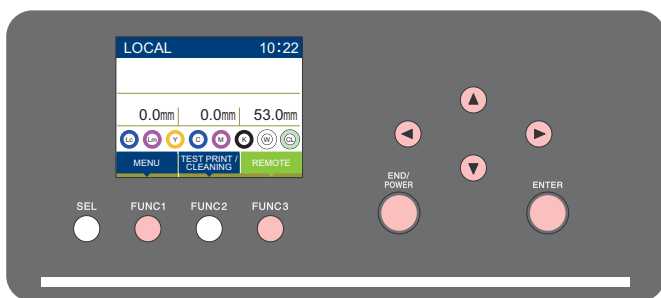
## Setting the time of the head temperature to standby

Change the transition time of the head temperature to the standby state.

- 1** Press **FUNC1** (MENU) → **FUNC3** (>>) → **ENTER** key in LOCAL mode
  - The machine setting menu is displayed.
- 2** Press **FUNC1** (<<) key, select "HEAD TEMP.STANDBY TIME, press **ENTER** key
- 3** Press **ENTER** key
- 4** Press **▲** **▼** key, select the setting value, and press **ENTER** key
  - Setting value : 5min ~ 15min
- 5** Press **END/POWER** key several times to end

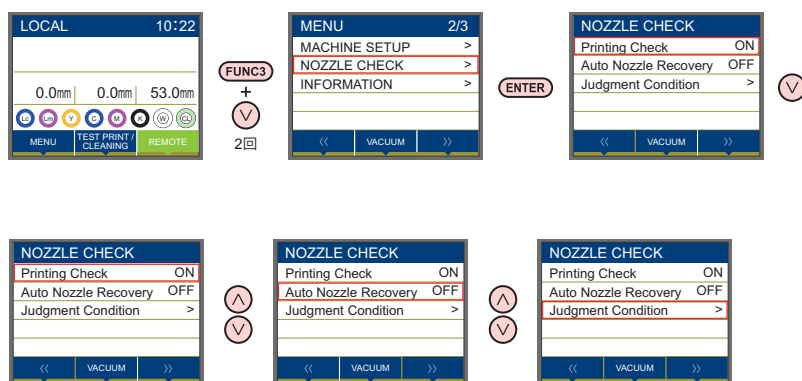
# About NOZZLE CHECK MENU

Set operations concerning the nozzle missing detection function.  
 UJF-3042MkII is displayed only when the NCU option is installed.



- FUNC1** : Press this to select NOZZLE CHECK MENU, or to switch to the previous screen.
- FUNC3** : Press this to switch to the next screen.
- ▲ ▼** : Use these to select a setting item.
- ENTER** : Press this to confirm a setting, etc..

## ◆ NCU MENUs at-a-glance



## INFORMATION MENU table

Function name		Set value	Default	Meaning
(ON)	Printing Check (🔧 P.3-29)	ON/OFF	ON	Set this when you want to conduct nozzle check at the beginning of online printing.
		Check Interval	SET UP Job Interval 1 to 100	Job 30 file Conducts nozzle check at each set number of files. *1
	Action	CLEANING	OFF/ SOFT/ NORMAL/ HARD	SOFT Sets the type of cleaning performed during recovery work.
		RETRY COUNT	0 to 3	1 Repeats the retry operation for the set number of times.
NOZZLE RECOVERY (🔧 P.3-30)		ON/OFF	OFF	Set this when you want to conduct automatic nozzle recovery.
Judgement Condition (🔧 P.3-30)		1 to 100	1	Sets how many missing nozzles are detected for "Nozzle Missing" judgment to be made according to each color. (Maximum 10 per 1 nozzle line)*2

\*1. When the set length is reached during printing, nozzle check is conducted at the start of the next printing.

\*2. Depending on the print conditions, nozzle recovery is not applied in some cases.

## Printing Check Flow

Nozzle check is conducted according to the following flow at the start of printing.



- Turn the “Printing Check” setting ON to be enabled.
- Only perform RETRY COUNT and Printing Check settings when the settings are enabled.

### 1 nozzle check → Judgment

Detects missing nozzles.

### 2 Recovery operation → nozzle check → Judgment

If more missing nozzles than “Judgement Condition ” are detected after the nozzle check, cleaning is performed and nozzle check is conducted again.

### 3 Retry → Judgment

If more missing nozzles than “Judgement Condition ” are detected after the recovery operation, the recovery operation is conducted again.

### 4 Printing Check → Judgment

Nozzle recovery is automatically conducted following nozzle check and recovery operation.

- Turn the “Printing Check” setting ON to be enabled.

### 5 Nozzle Missing judgment

If more missing nozzles than A are eventually detected, continued printing will be deemed impossible and printing will stop.

3

## Printing Operations at “Nozzle Missing” Judgment and Error Occurrence

- When judged to be “Nozzle Missing” → Printing is stopped.
- When error occurs during nozzle check → Printing is stopped and “Printing Check” is automatically turned OFF. After recovering from the error, set “Printing Check” once again.

## Setting the Printing Check

Select "ON" when you want to conduct nozzle check at the start of online printing.

- 1 Press the **FUNC1** (MENU) key in the local mode.
- 2 Press **▲ ▼** to select "Nozzle Check", then press the **ENTER** key
  - The nozzle Check menu is displayed.
- 3 Press **▲ ▼** to select "Printing Check", and then press the **ENTER** key.
- 4 Press **▲ ▼** to select "ON", and then press the **ENTER** key.
  - The "Check Interval" setting screen will be displayed.
  - "Select OFF to not set nozzle check. Proceed to Step 12.
- 5 Press the **ENTER** key.
- 6 Press **▲ ▼** to select setting item, and then press the **ENTER** key.
 

**Job:** A nozzle check is conducted at the set number of printing jobs.
- 7 Press **▲ ▼** to select setting value, and then press the **ENTER** key.
 

**SET UP:** 0 to 100 Job
- 8 Press the **END/POWER** key.
  - The "Action" setting screen will be displayed.
- 9 Press the **ENTER** key.
  - "CLEANING" will be selected.
- 10 Press **▲ ▼** to select cleaning type, and then press the **ENTER** key.
 

**Setting value:** SOFT/ NORMAL/ HARD
- 11 Press **▲ ▼** to select retry count, and then press the **ENTER** key.
 

**Setting value:** 0 to 3
- 12 Press the **END/POWER** key several times to end the setting.

## Setting the NOZZLE RECOVERY

set this if you want to conduct automatic nozzle recovery when nozzle missing is detected.

- 1 Press the **FUNC1** (MENU) key in the local mode.
- 2 Press **▲ ▼** to select "Nozzle Check", then press the **ENTER** key
  - The nozzle Check menu is displayed.
- 3 Press **▲ ▼** to select "NOZZLE RECOVERY", and then press the **ENTER** key.
- 4 Press **▲ ▼** to select ON/OFF, and then press the **ENTER** key.
- 5 Press the **END/POWER** key several times to end the setting.

The number of nozzles registered for automatic nozzle recovery can be checked with the guidance.

## Setting the Judgment Condition

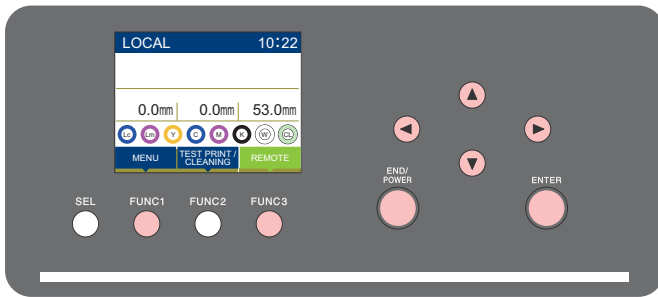
Set the conditions for judging nozzle missing.

- 1 Press the **FUNC1** (MENU) key in the local mode.
- 2 Press **▲ ▼** to select "Nozzle Check", then press the **ENTER** key
  - The nozzle Check menu is displayed.
- 3 Press **▲ ▼** to select "Judgment Condition", and then press the **ENTER** key.
- 4 Press **▲ ▼** to select color, and then press the **ENTER** key.
  - The type of color changes depending on the ink set.
- 5 Press **▲ ▼** to set the number of nozzles for judgment, and then press the **ENTER** key.
- 6 Press the **END/POWER** key several times to end the setting.



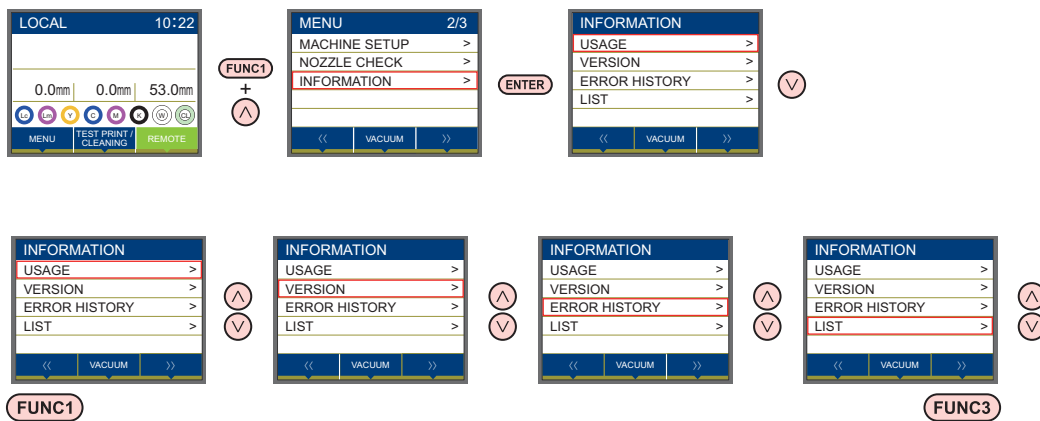
# About INFORMATION MENU

The information of this machine can be confirmed.  
The following items can be confirmed as machine information.



- FUNC1** : Press this to select INFORMATION MENU, or to switch to the previous screen.
- FUNC3** : Press this to switch to the next screen.
- ▲ ▼** : Use these to select a setting item.
- ENTER** : Press this to confirm a setting, etc..

## ◆ SETUP MENUs at-a-glance



3

## INFORMATION MENU table

Item	Description	
USAGE	WIPING	This displays how many wipings have been done.
	WASTE TANK	This displays how much waste ink has built up in the waste ink tank, as a rough percentage of the tank capacity.
	PRINT LENGTH	This displays the total length of the printing done to date.
	PRINT AREA	This displays the total area of the printing done to date.
	USE TIME	This displays the total time for which the machine has been used to date.
VERSION	This displays the version information of this machine.	
ERROR HISTORY	This displays the history of errors and warnings to date. When you press [▲][▼], the date of occurrence (year/month/day/hour/minute) and the error/warning information are displayed alternately in the order of occurrence.	
LIST	This allows you to print the settings of this machine.	

## Displaying the Information

- 1** In LOCAL mode, press **FUNC1** (MENU) and press the **FUNC3** key.
- 2** Press **▲** **▼** to select "INFORMATION", then press the **ENTER** key.
  - The information menu is displayed.
- 3** Press **▲** **▼** to select the information you want to see.
  - Refer to "Information menu list" and select the information to display.
- 4** Press the **ENTER** key.
  - If you selected [LIST] in step 3, the machine's settings will be printed.
- 5** Press the **END/POWER** key several times to end the setting.

# Chapter 4

## Maintenance



### This chapter

describes the items required to use this machine more comfortably, which are the methods for the daily care, the maintenance of the ink bottles etc.

Routine maintenance .....	4-2	Checking the UV Lamp Usage .....	4-16
When this machine is left unused for a long time .....	4-2	Solving the Ink Overflow Problem.....	4-16
Precautions in cleaning .....	4-2	Automatic Maintenance Function.....	4-17
Cleaning exterior surfaces .....	4-2	Setting the Refreshing Intervals.....	4-17
Cleaning the table .....	4-2	Setting the Cleaning Intervals and Type... 4-17	
About MAINTENANCE MENU .....	4-4	Replacing consumables .....	4-18
MAINTENANCE MENUs at-a-glance.....	4-5	(When using rubber wiper) Replace the wiper/ wiper absorber .....	4-18
Maintaining the Capping Station .....	4-6	Replacing the mist filter .....	4-19
Cleaning the Wiper and Cap .....	4-6	If a Waste Ink Tank Confirmation Message Ap- pears.....	4-19
Cleaning the mist filter.....	4-8	Replacing the waste ink tank before the waste ink tank confirmation message is displayed.....	4-20
Nozzle Wash .....	4-9	If Check Wiper Waste Inktank Warning Appears .....	4-21
Nozzle Wash (When PR-200 cleaning solution using) .....	4-10	Replacing the waste ink tank before the “Check wiper waste inktank” warning is dis- played .....	4-22
Washing the Ink Discharge Passage .....	4-11	Supplying antifreeze liquid .....	4-22
When the Machine Is Not Used for a Long Time .....	4-12	Supplying antifreeze liquid.....	4-23
Sub tank maintenance .....	4-13		
White maintenance .....	4-13		
Cleaning the Ink Head and the Area around It.....	4-14		
Nozzle Recovery Function.....	4-15		
Reset the set value .....	4-16		

## Routine maintenance

Be sure to conduct maintenance works for the machine depending on operation frequency or periodically so as to use the machine for a long time while keeping its drawing accuracy.

### When this machine is left unused for a long time

When the machine is not going to be used for a week or more, use the cleaning function for ink discharge passage (☞ P.4-11). After this, keep the machine in custody.



- Use the machine with always turning "ON" the main power.
- Remove the media being set.

### Precautions in cleaning



- In case water or alcohol mixed into the UV curing ink (UV ink), flocculation would be occurred. Be sure not to adhere water or alcohol not only on the nozzle and also near the head.

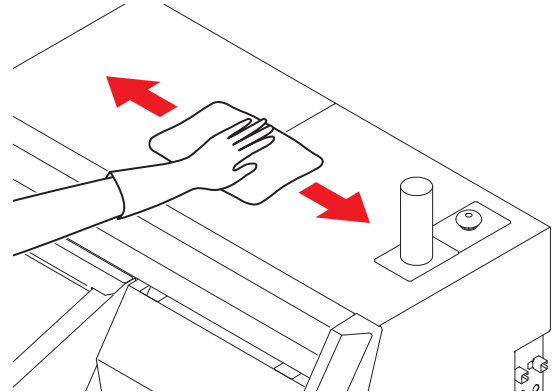


- Never disassemble this machine. Disassembling this machine can result in electric shock hazards or damage to this machine.
- Prevent moisture from entering this machine. Moisture inside the machine can result in electric shock hazards or damage to this machine.
- Before starting maintenance work, be sure to turn off the main power switch and unplug the power cable; otherwise, an unexpected accident may occur.
- Do not use benzine, thinner, or any chemical agent containing abrasives. Such materials can deteriorate or deform the surface of the covers.
- Do not apply lubricating oil or the like to any part inside this machine. Such materials can cause this machine mechanism to fail.
- This machine uses UV curing ink (UV ink). When in daily care, be sure to wear the included safety glasses and gloves.



### Cleaning exterior surfaces

If exterior surfaces of the machine is dirty, dampen a soft cloth with water or a neutral detergent diluted with water, squeeze it and wipe the surfaces.



### Cleaning the table



- Turn off the main power and unplug the power cable before carrying out maintenance.

Continuing to use the dirty will also cause dried ink and attached dust to rub against the head nozzle and lead to print defects (e.g., nozzle clogging, deflection).



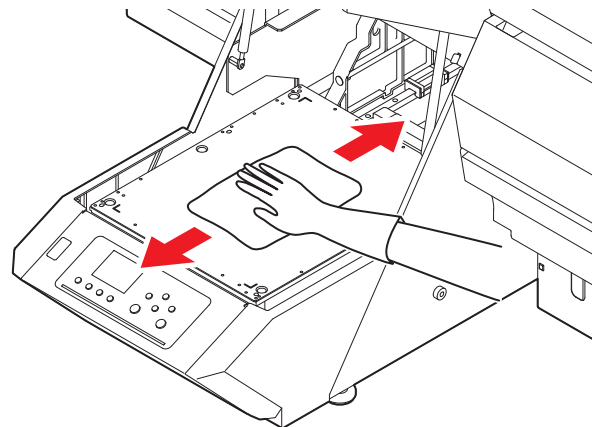
- Do not allow liquids to get inside the product. Ingress of liquids into the product may lead to failure, electric shock, or fire.



- For heavy soiling, wipe using a soft cloth soaked in dilute detergent and thoroughly wrung out.
- Be sure to clean the slot on the frame of the table, the screw holes for holding tools or the like since dust and dirt are easily accumulated in these parts.



- If it is stained with ink, wipe it off with a paper towel containing a little amount of the cleaning solution.

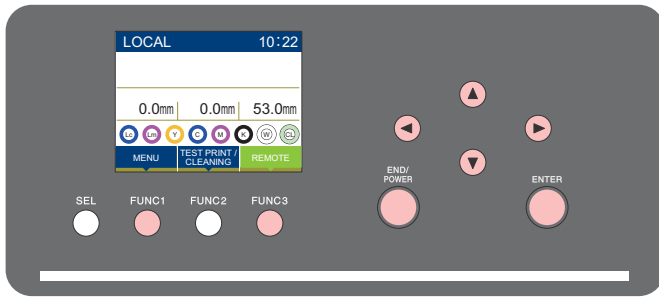






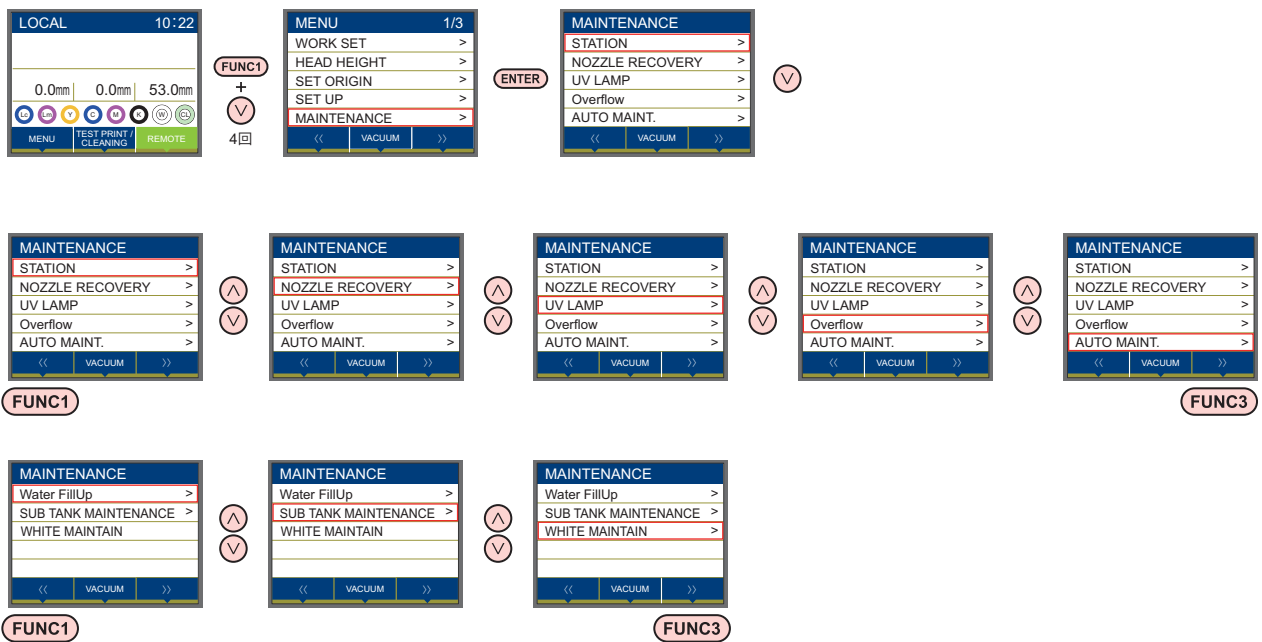
# About MAINTENANCE MENU

This provides various settings for doing maintenance on the machine.  
The following items can be set in Maintenance settings.



- FUNC1** : Press this to select MAINTENANCE MENU, or to switch to the previous screen.
- FUNC3** : Press this to switch to the next screen.
- ▲ ▼** : Use these to select a setting item.
- ENTER** : Press this to confirm a setting, etc..

## MAINTENANCE MENUs at-a-glance



## MAINTENANCE MENUS at-a-glance

Item	Set value	Meaning
STATION	For carrying out maintenance on the carriage and station periphery.	
	CARRIAGE OUT (☞ P.4-6)	Moves the carriage out, for carrying out cleaning of the cap periphery, head, wipers, etc.
	REPLACE Waste Ink Tank (☞ P.4-11)	Resets or corrects the used count for the waste ink tank.
	DISWAY WASH (☞ P.4-11)	Wash the ink discharge passage
	Replace WIPER/ WIPER Absorber (☞ P.4-18)	Used when replacing the rubber wiper and absorber. The wiper usage counter managed by the machine is reset when the rubber wiper is replaced (not displayed if the suction wiper is currently in use).
	NOZZLE WASH (☞ P.4-9)	1 to 10 min Soaks the nozzle surfaces in maintenance cleaning fluid, for carrying out recovery from nozzle clogging or bent.
	CUSTODY WASH (☞ P.4-12)	1 to 10 min Carried out when the machine is going to be out of use for an extended period. Washes the nozzles and tubes beforehand, to keep the machine in fine condition.
	REPLACE WIPER WASTE TANK (☞ P.4-17)	Displayed only when the suction wiper is in use. The suction wiper waste fluid counter managed by the machine is reset when the wiper waste ink tank is replaced.
NOZZLE RECOVERY (☞ P.4-15)	For using another nozzle for printing when any nozzle cannot be recovered.	
	PRINT	Prints a pattern, to identify the nozzle that is clogged.
	ENTRY	Registers the faulty nozzle identified by "PRINT".
	RESET	Resets a registered faulty nozzle.
UV LAMP (☞ P.4-16)	UV USED TIME	This displays the total time for which each of the UV lamps has been illuminated.
Overflow (☞ P.4-16)	For discharging excessive ink in the sub tank to solve the ink overflow problem.	
Automatic Maintenance (☞ P.4-17)	For having the various maintenance functions executed automatically. Set the execution interval for each maintenance function.	
	REFRESH	OFF For setting the activation interval for refresh.
	CLEANNING INTV	12h For setting the activation interval for the head cleaning.
Water FillUp (☞ P.4-22)		For supplying hot water.
SUB TANK MAINTENANCE (☞ P.4-13)	Normal	Perform when a large amount missing nozzle is not restored.
	Hard	
WHITE MAINTAIN (☞ P.4-13)		Perform when a large number of white missing nozzles cannot be restored. Displayed only when the ink set includes white ink.

# Maintaining the Capping Station

Maintain the ink cap, wiper, etc. located in the capping station. (STATION MAINT.)

- Important!**
- To keep the nozzle status normal, perform wiper cleaning frequently.

The ink cap and wiper function as follows.

- Wiper** : It wipes off ink sticking to the head nozzles.
- Ink cap** : It prevents the head nozzles from clogging due to dryness.

As the machine is used repeatedly, the wiper and ink cap gradually become dirty with ink, dust, etc.

If nozzle missing cannot be corrected even after head cleaning (P.2-8) has been performed, use a F-200 / LF-200 Washing Liquid kit and cleaning swab.

## Tools required for Maintenance

• F-200 / LF-200 Washing Liquid (SPC-0568)	
• UJ Cleaning swab (SPC-0386)	• Polydropper (161-22-25-02)
• Gloves	• Safety glasses



- Be sure to wear the included safety glasses and gloves when maintaining the capping station. Otherwise, you may get ink in your eyes.
- Do not move the carriage out of the capping station by hand. When it is desirable to move the carriage, press the [FUNK1] key to execute the carriage-out. (P.4-6 Steps 1 to 2)

## Cleaning the Wiper and Cap

It is recommended that the wiper and cap be cleaned frequently in order to maintain the high image quality of the machine and keep the machine itself in good working order.

- Important!**
- Even if you cleaned the wiper, when Nozzle out or Ink dropping cannot be solved, try to replace the wiper.
  - If the wiper is extremely dirty or has a scratch or damage on it, replace the wiper (SPA-0271). (P.4-18)

**1** Press the **[FUNC1] (MENU)** in LOCAL mode.

**2** Press **[▲] [▼]** to select "MAINTENANCE", and press the **[ENTER]** key.

- MAINTENANCE MENU will be displayed.

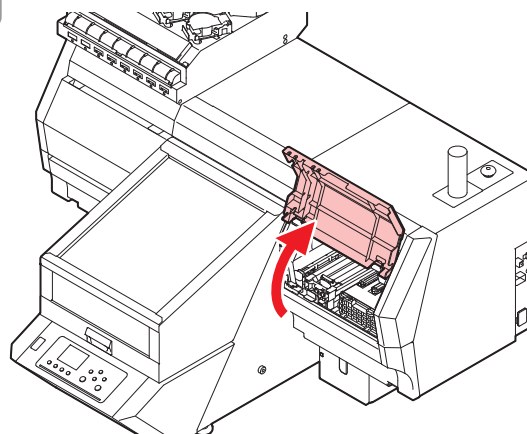
**3** Press the **[ENTER]** key.

- "STATION" will be selected.

**4** Press the **[ENTER]** key.

- "CARRIGE OUT" will be selected and the carriage will move.

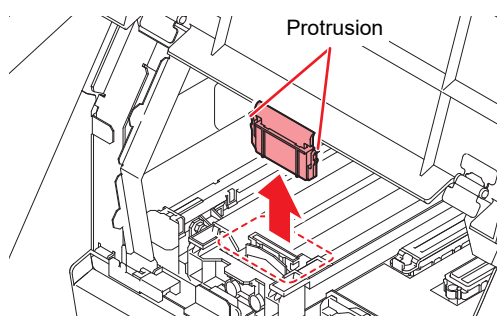
**5** Open the right maintenance cover.



- Perform Steps 6 to 8 when using the rubber wiper.

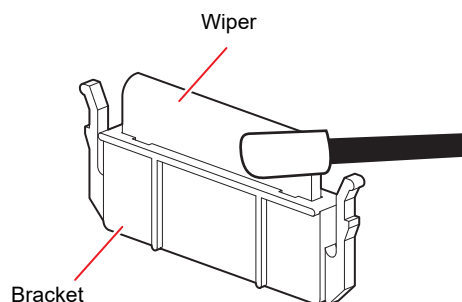
**6** (When using rubber wiper) Pull out the wiper.

- Pull out the wiper by holding the protrusions at its both ends.



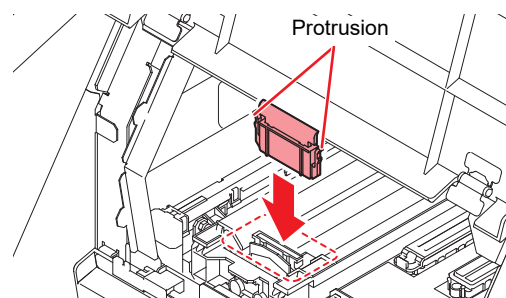
**7** (When using rubber wiper) Clean the wiper and bracket.

- Wipe off the ink sticking to the wiper and bracket with a cleaning swab dipped in cleaning solution for maintenance. Wipe off so that cleaning solution for maintenance will not remain.



**8** (When using rubber wiper) Reattach the wiper at its original position.

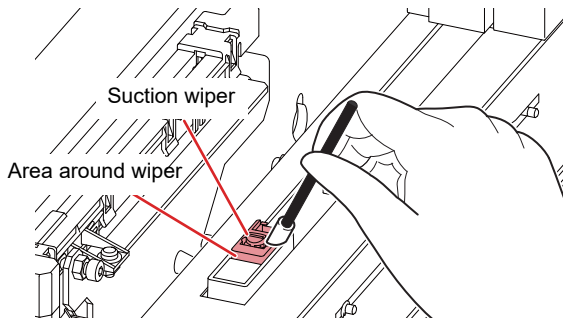
- Insert the wiper by holding the protrusions at its both ends.



- Perform Step 9 when using the suction wiper.

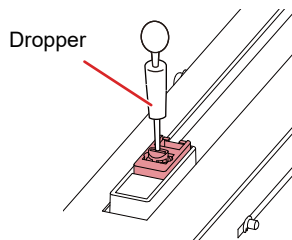
## 9 (When using suction wiper) Clean the suction wiper.

- Wipe off any ink on or around the wiper with a cleaning swab dipped in maintenance washing liquid.
- Wipe off so that cleaning solution for maintenance will not remain.



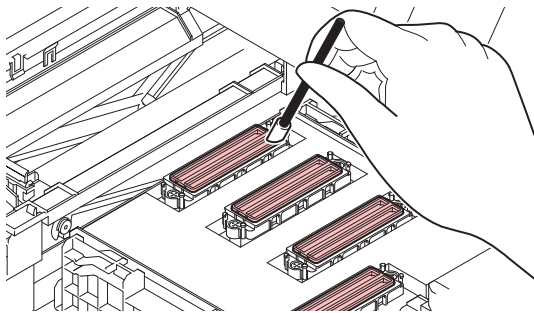
### ● Clean the tube once a week to prevent wiper tube clogging.

- Fill the dropper with 3 cc cleaning solution.
  - Use the dropper scale for the liquid measure.
- Fill the suction wiper with the cleaning solution from its mouth.
  - Speed to fill with cleaning solution: 1 cc/second

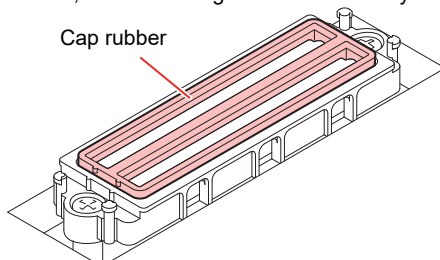


## 10 Clean the cap rubber.

- Wipe off the ink sticking to the cap rubber with a cleaning swab dipped in maintenance solution for maintenance.
- Wipe off so that maintenance solution for maintenance will not remain.



- Important!**
- Wipe off so that no ink or cleaning solution remains on the rim of the cap rubber. If ink remains, nozzle missing or mixed color may occur.



**11** Press the **ENTER** key after the cleaning.

**12** Close the maintenance cover then press the **ENTER** key.

- After its initial operation, the machine returns to step1.

## Cleaning the mist filter

**1** Press the **FUNC1** (MENU) in LOCAL mode.

**2** Press **▲▼** to select "MAINTENANCE", and press the **ENTER** key.

- MAINTENANCE MENU will be displayed.

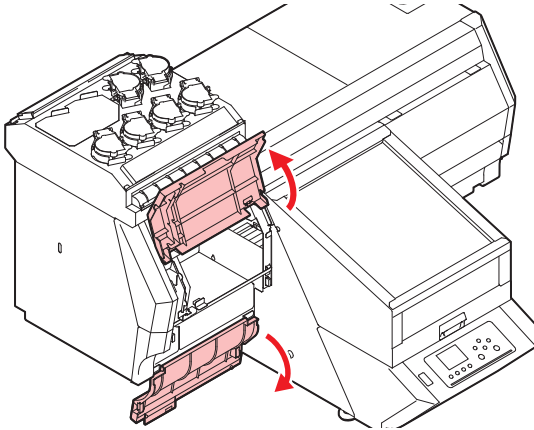
**3** Press the **ENTER** key.

- "STATION" will be selected.

**4** Press the **ENTER** key.

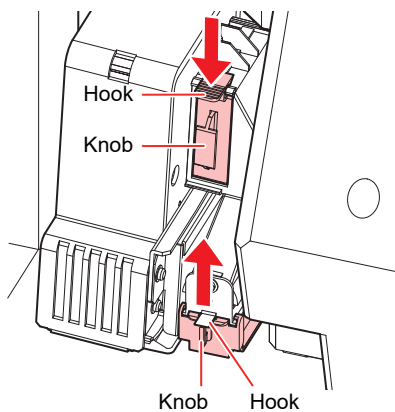
- "CARRIGE OUT" will be selected and the carriage will move.

**5** Open the left maintenance cover.



**6** Remove the mist filter.

- Mist filters are located in two places.
- To remove the mist filter, pull the knob to the front while pushing the hook in the direction indicated by the arrow.

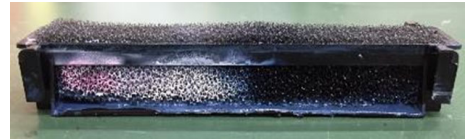


**7** Clean the filter.

- Remove the filter, and remove the stain by holding paper towel or the like.
- Wipe off any stain adhering to the filter case.

**Important!**

- If the stain strongly attached to the filter, such as the liquefaction of the ink attached to the filter, please replace the filter (SPC-0819). (P.4-19)



**8** Set the mist filter at the original position.

**9** Close the maintenance cover, and press the **ENTER** key.

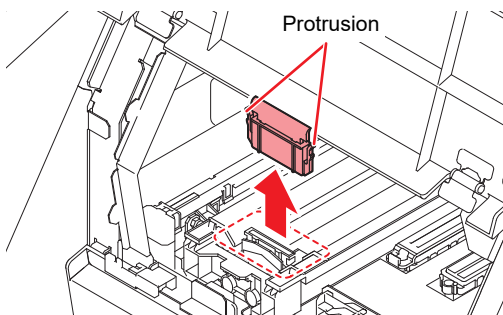
- After its initial operation, the machine returns to LOCAL.

## Nozzle Wash

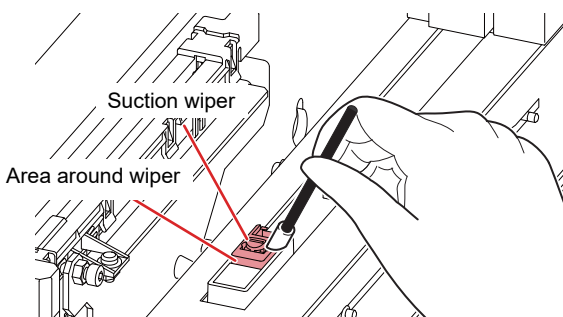
- 1** Press the **FUNC1** (MENU) in LOCAL mode.
- 2** Press **▲▼** to select "MAINTENANCE", and press the **ENTER** key.
  - MAINTENANCE MENU will be displayed.
- 3** Press the **ENTER** key.
  - "STATION" will be selected.
- 4** Press **▼**, and press the **ENTER** key.
  - "NOZZLE WASH" will be selected and the carriage will move.

- 5** Open the maintenance cover.

- 6** (When using rubber wiper) Clean the wiper and bracket.
  - Perform Step 7 when using the suction wiper.
  - (1) Open the right maintenance cover then pull out it by holding protrusions at both ends of the wiper.
  - (2) Clean the wiper and bracket with a clean stick dipped in maintenance washing liquid for maintenance.
    - Wipe off so that maintenance washing liquid for maintenance will not remain.
  - (3) Insert it in the original position by holding the Protrusions at both ends of the wiper.

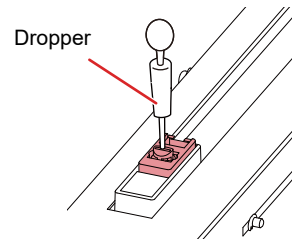


- 7** (When using the suction wiper) Clean the suction wiper and around the wiper.
  - Clean the wiper and the area around wiper with a clean stick dipped in maintenance washing liquid for maintenance.
  - Wipe off so that maintenance washing liquid for maintenance will not remain.



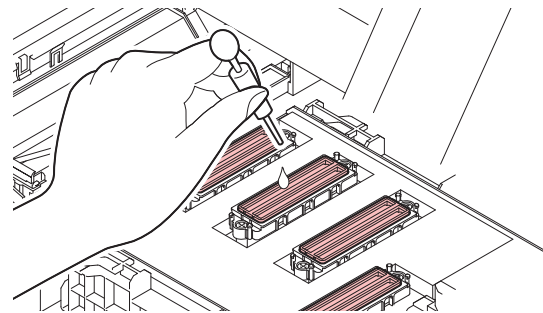
- Clean the tube once a week to prevent wiper tube clogging.

- (1) Fill the dropper with 3 cc cleaning solution.
  - Use the dropper scale for the liquid measure.
- (2) Fill the suction wiper with the cleaning solution from its mouth.
  - Speed to fill with cleaning solution: 1 cc/second



- 8** Fill up the cap with cleaning solution for maintenance.

- Suck maintenance solution into a dropper and fill up the cap with it. Fill up the cap with maintenance solution on the verge of overflow from the cap.



- 9** Close the maintenance cover, and press the **ENTER** key.

- 10** Press **▲▼** to set the time for the maintenance washing liquid to be left as it is, and press the **ENTER** key.

- Set value : 1 to 10 minutes (Unit: minute)
- The maintenance washing liquid filled in the cap is absorbed.
- "Please Wait" will be displayed in the display until the time you set has elapsed.

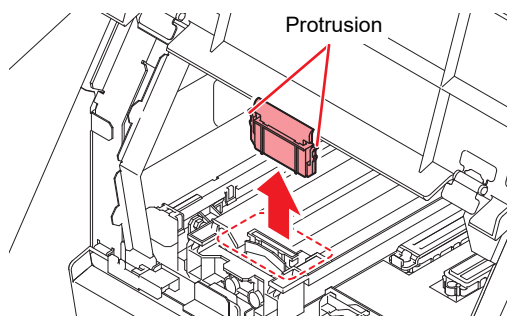
### Important!

- When nozzle missing is not cleared even after nozzle recovery (P.4-15) or this washing is carried out several times, contact your local distributor, our sales office, or service center.

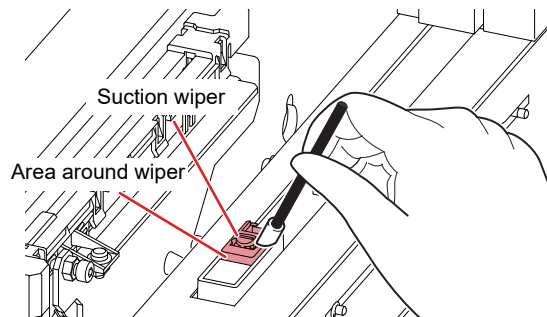


## Nozzle Wash (When PR-200 cleaning solution using)

- 1** Press the **FUNC1** (MENU) in LOCAL mode.
- 2** Press **▲▼** to select "MAINTENANCE", and press the **ENTER** key.
  - MAINTENANCE MENU will be displayed.
- 3** Press the **ENTER** key.
  - "STATION" will be selected.
- 4** Press **▼**, and press the **ENTER** key.
  - "NOZZLE WASH" will be selected and the carriage will move.
- 5** Open the maintenance cover on the station side.
- 6** (When using rubber wiper) Clean the wiper and bracket.
  - Perform Step 7 when using the suction wiper.
  - (1) Open the right maintenance cover then pull out it by holding protrusions at both ends of the wiper.
  - (2) Include F-200 / LF-200 Maintenance cleaning solution (SPC-0568) in the clean stick and clean.
    - Wipe off F-200 / LF-200 Maintenance cleaning solution so that no maintenance cleaning solution remains.
  - (3) Insert it in the original position by holding the protrusions at both ends of the wiper.

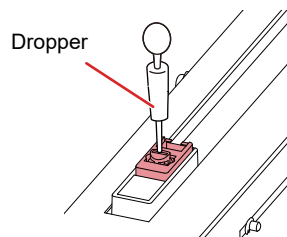


- 7** (When using suction wiper) Clean the suction wiper and around the wiper.
  - Include F-200 / LF-200 Maintenance cleaning solution (SPC-0568) in the clean stick and clean.
  - Wipe off F-200 / LF-200 Maintenance cleaning solution so that no maintenance cleaning solution remains.



### ● Clean the tube once a week to prevent wiper tube clogging.

- (1) Fill the dropper with 3 cc cleaning solution.
  - Use the dropper scale for the liquid measure.
- (2) Fill the suction wiper with the cleaning solution from its mouth.
  - Speed to fill with cleaning solution: 1 cc/second

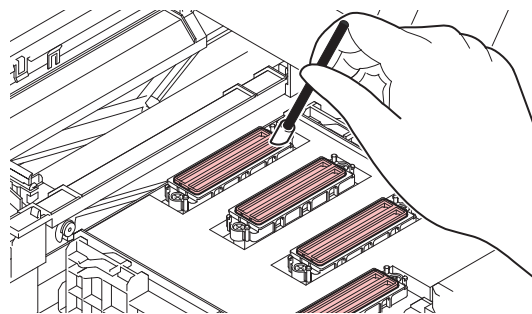


### 8 Clean the cap rubber of the PR-200 head.

- Wipe off the ink adhere to the cap rubber with a clean stick dipped in F-200/LF-200 cleaning solution.
- Wipe off F-200 / LF-200 Maintenance cleaning solution so that no maintenance cleaning solution remains.
- At this time, the discharge passage is cleaned automatically.

**Important!**

- Use the F-200 / LF-200 maintenance cleaning solution always to clean the wiper, bracket, and cap rubber, and **do not use the PR-200 maintenance cleaning solution.**



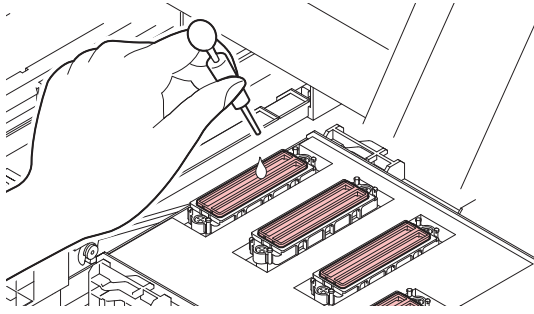
### 9 Fill the cap of PR-200 head completely with the PR-200 maintenance cleaning solution (C-ML013-Z-B2-1-KW).

- Fill the syringe with PR-200 maintenance cleaning solution until the cap is full. Fill the cleaning solution until it overflows from the cap.

**Important!**

- To prevent nozzle clogging, do not use PR-200 maintenance cleaning solution other than the cap of the PR-200 head.





**10** Close the maintenance cover, and press the **ENTER** key.

**11** Press **▲ ▼** to set the time for the maintenance washing liquid to be left as it is, and press the **ENTER** key.

- **Set value** : 1 minute (Unit: minute)
- Do not change the leaving time.
- The maintenance washing liquid filled in the cap is absorbed.
- "Please Wait" will be displayed in the display until the time you set has elapsed.

**12** Perform the head cleaning (hard) of the PR-200 head once.

**13** Check the nozzle status with a test print.

- If nozzle missing is observed, perform head cleaning (hard) again and check the nozzle status.

**Important!**

- If the nozzle missing is not resolved, repeat this cleaning up to 3 times. If the problem persists after repeated three times, contact your dealer, our sales office, or call center.

## Washing the Ink Discharge Passage

Wash the ink discharge passage regularly (about once a week) to prevent the head nozzles from clogging due to ink coagulation inside the passage.

**1** Press the **FUNC1** (MENU) in LOCAL mode.

**2** Press **▲ ▼** to select "MAINTENANCE", and press the **ENTER** key.

- MAINTENANCE MENU will be displayed.

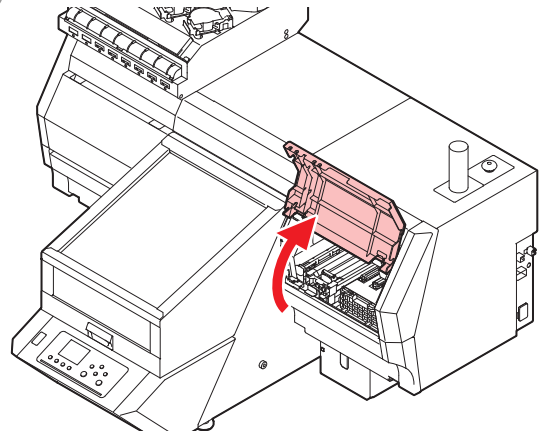
**3** Press the **ENTER** key.

- "STATION" will be selected.

**4** Press **▼** twice, and press the **ENTER** key.

- "DISWAY WASH" will be selected and the carriage will move onto the platen.
- Dry suction operation is performed repeatedly until the washing work is completed.

**5** Open the right maintenance cover.

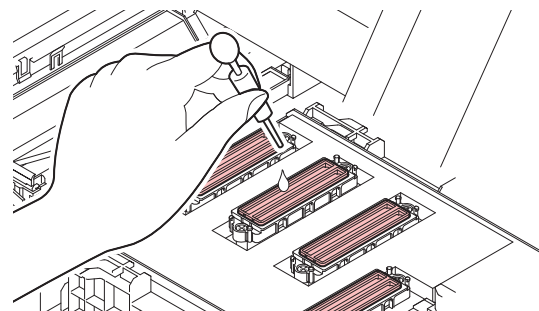


**6** Press the **ENTER** key.

- Dry suction operation is performed repeatedly until the washing work is completed.

**7** Fill up the cap with cleaning solution for maintenance.

- Suck maintenance solution into a dropper and fill up the cap with it. Fill up the cap with maintenance solution on the verge of overflow from the cap.



- 8** Close the maintenance cover and press the **ENTER** key.

## When the Machine Is Not Used for a Long Time

When the machine is not going to be used for a week or more, use the cleaning function for custody to clean the head nozzles and ink discharge passage. After this, keep the machine in custody.



- Use the machine with always turning "ON" the main power. The function preventing nozzle clogging operates automatically to protect the head of the nozzle.
- The head nozzle may result in nozzle clogging if the main power switch is left OFF for a long time.

### Check the items on the right beforehand.

Is [NEAR END] or [INK END] displayed?

- The cleaning solution or ink is absorbed when the nozzles are washed.
- At this time, if the state of "no ink" or "almost no ink" is detected, the nozzle washing operation cannot start.



- When the warning messages "Check waste ink" are indicated, check the waste ink tank, and then operate it, referring to P.4-19 "If a Waste Ink Tank Confirmation Message Appears" according to the situation.

- 1** Press the **FUNC1** (MENU) in LOCAL mode.

- 2** Press **▲▼** to select "MAINTENANCE", and press the **ENTER** key.

- MAINTENANCE MENU will be displayed.

- 3** Press the **ENTER** key.

- "STATION" will be selected.

- 4** Press **▼** 3 times, and press the **ENTER** key.

- "CUSTODY WASH" will be selected and the carriage will move onto the platen.

- 5** (When using rubber wiper) Clean the wiper and bracket.

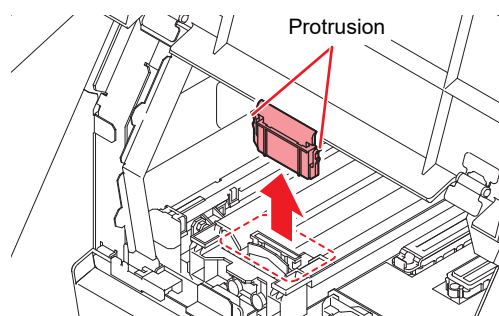
- Perform Step 6 when using the suction wiper.

(1) Open the maintenance cover then pull out it by holding protrusions at both ends of the wiper.

(2) Clean the wiper and bracket with a clean stick dipped in cleaning solution for maintenance.

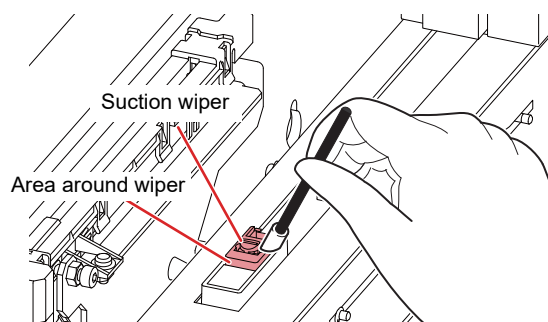
- Wipe off so that cleaning solution for maintenance will not remain.

- (3) Insert it in the original position by holding the protrusions at both ends of the wiper.



- 6** (When using suction wiper) Clean the suction wiper and around the wiper.

- Clean the wiper and the area around wiper with a clean stick dipped in maintenance washing liquid for maintenance.
- Wipe off so that maintenance washing liquid for maintenance will not remain.



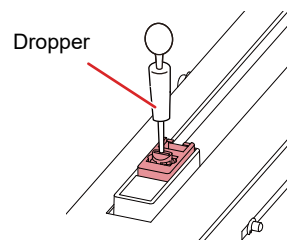
- Clean the tube once a week to prevent wiper tube clogging.

(1) Fill the dropper with 3 cc cleaning solution.

- Use the dropper scale for the liquid measure.

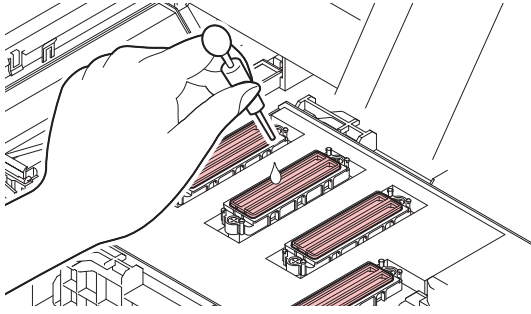
(2) Fill the suction wiper with the cleaning solution from its mouth.

- Speed to fill with cleaning solution: 1 cc/second



- 7** Fill up the cap with cleaning solution for maintenance.

- Suck maintenance solution into a dropper and fill up the cap with it. Fill up the cap with maintenance solution on the verge of overflow from the cap.



**8** Press the **ENTER** key.

**Important!**

• Until wiper cleaning is completed, [COMPLETED (NEXT): ENT] is displayed on the screen. After the work up to the step 7 is completed, press the [ENTER] key. If you press the [ENTER] key before cleaning is completed, the machine moves to the next washing procedure.

**9** Close the maintenance cover and press the **ENTER** key.

**10** Press **▲ ▼** to set the time for the cleaning solution to be left as it is.

• Set Value: 1 to 10 min (by the unit of 1 min)

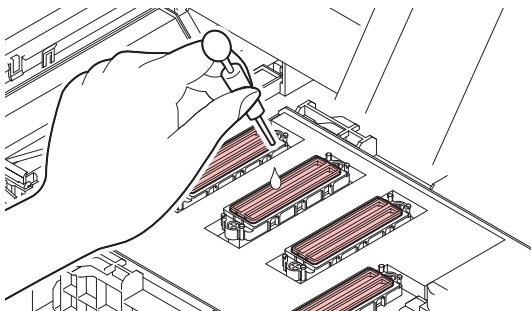
**11** Press the **ENTER** key.

• The nozzles are washed.  
• When the nozzles have been completely washed, the head moves to the maintenance position.

**12** Open the maintenance cover.

**13** Fill up the cap with cleaning solution for maintenance.

• Suck maintenance solution into a dropper and fill up the cap with it. Fill up the cap with maintenance solution on the verge of overflow from the cap.



**14** Close the maintenance cover and press the **ENTER** key.

• After its initial operation, the machine returns to step2.

## Sub tank maintenance

Perform it if a large amount of missing nozzle is not recovered or a nozzle missing occurs immediately after cleaning.

**1** Press the **FUNC1** (MENU) in LOCAL mode.

**2** Press **▲ ▼** to select "MAINTENANCE", and press the **ENTER** key.

• MAINTENANCE MENU will be displayed.

**3** Press **▲ ▼** to select "SUB TANK MAINTENANCE", and press the **ENTER** key.

• "SUB TANK MAINTENANCE" will be selected.

**4** Press **▲ ▼** to select the mode, then press the **ENTER** key

• Normal: Discharge half of the ink in the sub tank  
Then replace with new ink.  
• Hard: Discharge all the ink in the sub tank.  
Replace with new ink.

**5** Press **▲ ▼** to select "Head" and press **FUNC2** (✓)

• After selecting "Head" press **FUNC2** and check the check box.  
Sub tank maintenance will be performed only for the checked ones.

**6** Press the **ENTER** key.

• Executes "SUB TANK MAINTENANCE".

## White maintenance

Perform when a large number of white missing nozzles cannot be restored even after cleaning or when a white missing nozzle occurs immediately after restoration.

**1** Press the **FUNC1** (MENU) in LOCAL mode.

**2** Press **▲ ▼** to select "MAINTENANCE", and press the **ENTER** key.

• MAINTENANCE MENU will be displayed.

**3** Press **▲ ▼** to select "WHITE MAINTAIN", and press the **ENTER** key.

• "WHITE MAINTAIN" will be selected.

**4** Press the **ENTER** key.

• Executes "WHITE MAINTAIN".

# Cleaning the Ink Head and the Area around It

Because the ink head employs a very precise mechanism, due care needs to be taken when it is cleaned.

Using a cleaning swab, etc., rub off gelatinous ink or dust that may stick to the lower part of the slider and the area around the ink head. In doing so, never rub the nozzles of the head.

## Tools required for cleaning

• UJ Cleaning swab (SPC-0386)	• Gloves
• Safety glasses	• Washing Liquid



- Be sure to wear the included safety glasses and gloves when cleaning the area around the ink head. Otherwise, you may get ink in your eyes.
- The ink contains organic solvent. If you get the ink on your skin or in your eyes, wash it away with plenty of water immediately.

**1** Press the **FUNC1** (MENU) in LOCAL mode.

**2** Press **▲** **▼** to select "MAINTENANCE", and press the **ENTER** key.

- MAINTENANCE MENU will be displayed.

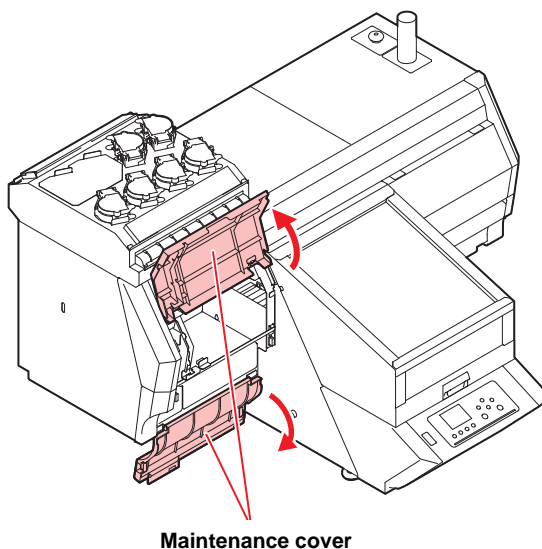
**3** Press the **ENTER** key.

- "CARRIAGE OUT" will be selected.

**4** Press **▼**, and press the **ENTER** key.

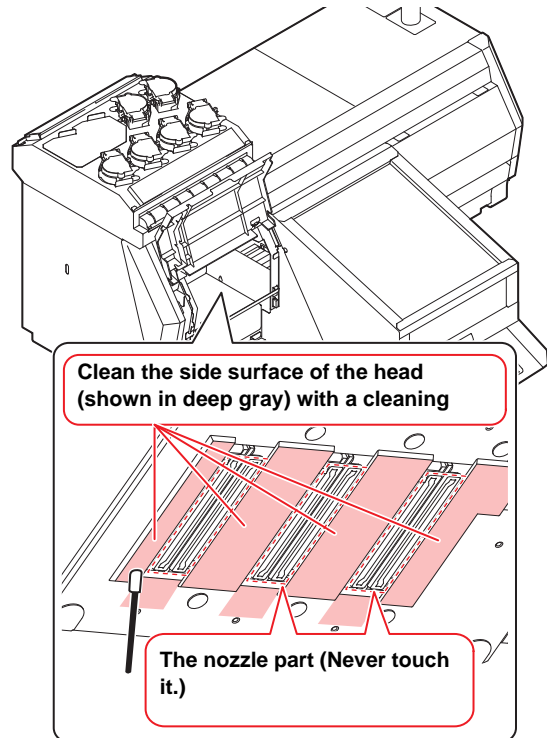
- Carriage will move to the left end of this machine.

**5** Open the maintenance cover.



**6** Wipe ink sticking to the side of the head off with a cleaning swab.

- Wipe off the ink sticking to the side of the head with a cleaning swab dipped in maintenance solution for maintenance.
- Never rub the nozzles.



**7** Press the **ENTER** key after the cleaning.

**8** Close the maintenance cover, and press the **ENTER** key.

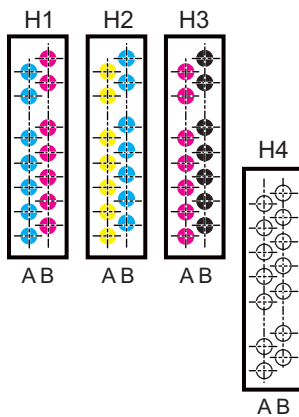
- After its initial operation, the machine returns to LOCAL mode.

# Nozzle Recovery Function

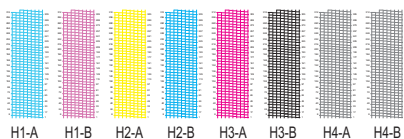
NOZZLE RECOVERY: When nozzles missing can not be improved at specific points, other good nozzles can be used as alternatives for printing.

- 1 Press the **FUNC1** (MENU) in LOCAL mode.
- 2 Press **▲▼** to select "MAINTENANCE", and press the **ENTER** key.
  - MAINTENANCE MENU will be displayed.
- 3 Press **▲▼** to select "RECOVERY", and press the **ENTER** key.
- 4 Press **▲▼** to select "PRINT" and press the **ENTER** key twice.
  - Printing of the nozzle pattern will start.
  - Select "ENTRY" then "Move" to select of the Nozzle line (Step 4) without drawing a pattern"

Overhead view

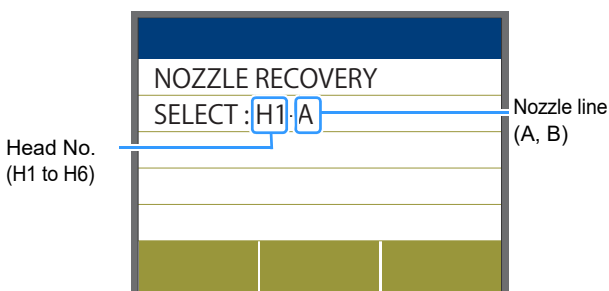


Nozzle pattern



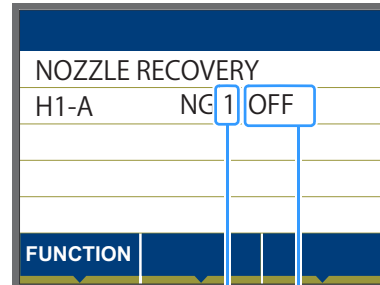
- 5 Press **▲▼** to select "Entry" and press the **ENTER** key twice.

- 6 Select the Nozzle line that needs NOZZLE RECOVERY by pressing **▲▼**, and press key.



- 7 Register the Nozzle number that needs NOZZLE RECOVERY and press **ENTER** key.

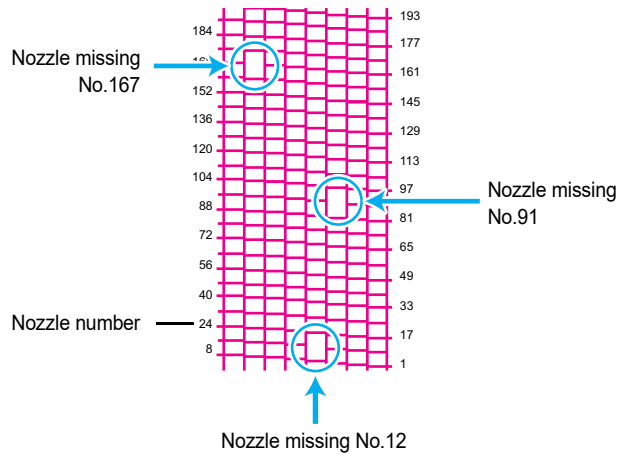
- (1) Select the registration number from 1 to 10 by pressing **▲▼** key and press the **ENTER** key.
- (2) Register the nozzle number that needs recovery by pressing **▲▼** key and press the **ENTER** key.



Registration number : 1 to 10

Recovery nozzle No.: 1 to 318, OFF

Example of nozzle to be recovered



Registration number	Recovery Nozzle No.	State
1	12	Target for nozzle recovery
2	91	Target for nozzle recovery
3	167	Target for nozzle recovery
4	OFF	No registration
5	OFF	No registration

- 8 Press the **END/POWER** key several times to end the setting.

Important!

- Up to 10 nozzles can be registered per 1 nozzle line.
- Even if you use this function, time required for drawing does not change.
- When printing has been done with the lowest path, nozzle recovery is not reflected. Perform test printing to confirm.



- If special ink is unclear, print on the clear film to check.

## Reset the set value

- 1 Press the **FUNC1** (MENU) in LOCAL mode.
- 2 Press **▲▼** to select “MAINTENANCE”, and press the **ENTER** key.
  - MAINTENANCE MENU will be displayed.
- 3 Press **▲▼** to select “NOZZLE RECOVERY”, and press the **ENTER** key.
- 4 Press **▲▼** to select “Reset”, and press the **ENTER** key.
- 5 Press **▲▼** and **FUNC1** (>>) **FUNC3** (<<) to select the Nozzle line that need reset, and press the **ENTER** key.
  - A reset confirmation message will be displayed.
- 6 Press the **END/POWER** key several times to end the setting.

## Checking the UV Lamp Usage

### Checking Uv Lamp Use Time

- 1 Press the **FUNC1** (MENU) in LOCAL mode.
- 2 Press **▲▼** to select “MAINTENANCE”, and press the **ENTER** key.
  - MAINTENANCE MENU will be displayed.
- 3 Select “UV USED TIME”, and press the **ENTER** key.
  - The use time is displayed for each of the UV lamps.
- 4 Press the **END/POWER** key several times to end the setting.

## Solving the Ink Overflow Problem

- 1 Press the **FUNC1** (MENU) in LOCAL mode.
- 2 Press **▲▼** to select “MAINTENANCE”, and press the **ENTER** key.
  - MAINTENANCE MENU will be displayed.
- 3 Press the **FUNC1** (<<).
- 4 Press **▲▼** to select “Overflow”, and press the **ENTER** key.
- 5 Press **▲▼** to select head.
- 6 Press the **ENTER** key.
- 7 Press the **END/POWER** key several times to end the setting.

### Important!

- Repeat this procedure if you cannot solve the problem after performing it once. If you still cannot solve the problem even after performing this procedure three times, contact your local distributor, our sales office, or service center.



# Automatic Maintenance Function

To use this machine comfortably, you can set various maintenances to be performed automatically.

Here, set performing intervals of various automatic maintenances.

You can prevent troubles such as ink clogging by performing automatic maintenance periodically (automatic maintenance function).

For the Auto Maint. functions, the following items can be set:



- When you perform maintenance manually, after manual maintenance is completed and when time set with the automatic maintenance function has passed, maintenance starts automatically.

Function name	Descriptions
Refresh	Sets the refresh intervals.
Cleaning	Sets the head cleaning intervals.



- If an ink tank error occurs, the operation set by the Automatic Maintenance function is not performed. Replace the waste ink tank. (☞ P.4-19)
- During the execution of automatic maintenance, ink flows into the waste ink tank. Check the amount of ink in the waste ink tank every day, and discard the ink if necessary. (☞ P.4-20)

## Setting the Refreshing Intervals

The refresh interval is set. Refresh is the operation to discharge some ink from the nozzle to prevent nozzle clogging.

- 1 Press the **FUNC1** (MENU) in LOCAL mode.
- 2 Press **▲▼** to select “MAINTENANCE”, and press the **ENTER** key.
  - MAINTENANCE MENU will be displayed.
- 3 Press **▲▼** to select “Auto Maint.”, and press the **ENTER** key.
- 4 Press the **ENTER** key.
  - “Refresh” will be selected.
- 5 Press **▲▼** to set the refresh intervals, and press the **ENTER** key.
  - Set value : OFF / 1 to 24h
- 6 Press the **END/POWER** key several times to end the setting.

## Setting the Cleaning Intervals and Type

The cleaning type and the interval between each cleaning operation are set.

- 1 Press the **FUNC1** (MENU) in LOCAL mode.
- 2 Press **▲▼** to select “MAINTENANCE”, and press the **ENTER** key.
  - MAINTENANCE MENU will be displayed.
- 3 Press **▲▼** to select “Auto Maint.”, and press the **ENTER** key.
- 4 Press **▲▼** to select “Cleaning”, and press the **ENTER** key.
- 5 Press **▲▼** to select the cleaning intervals, and press the **ENTER** key.
  - Set value : OFF / 1 to 168h
- 6 Press **▲▼** to select the cleaning type, and press the **ENTER** key.
  - Set value : Soft/ Normal/ Hard
- 7 Press the **END/POWER** key several times to end the setting.

# Replacing consumables

## (When using rubber wiper) Replace the wiper/wiper absorber.

The wiper (SPA-0271) and the wiper absorber (SPC-0830) are consumable. When the display indicates the warning message "REPLACE WIPER/ABSORBER", it is necessary to check and replace the wiper and wiper absorber immediately with a new one.

Also, wipe ink sticking to the lower surface of the slider off.

### Important!

- When the warning message for replacing wiper is shown, confirm whether there is no damage and fuzz at the top edge of the wiper film. If there is no damage on the top edge of the wiper film, it is possible to use the wiper continuously without replacing it. Also, if ink is not accumulated in the wiper absorber, use it as it is.
- A cleaning wiper is an option. Please buy one through the dealer in your region or at our service office.

**1** Press the **FUNC1** (MENU) in LOCAL mode.

**2** Press **▲** **▼** to select "MAINTENANCE", and press the **ENTER** key.

- MAINTENANCE MENU will be displayed.

**3** Press the **ENTER** key.

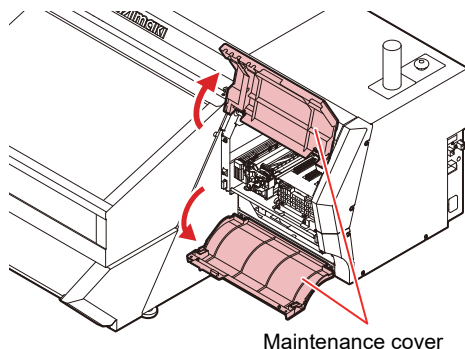
- "STATION" will be selected.

**4** Press **▲** **▼** to select "Replace WIPER", and press the **ENTER** key.

**5** Press the **ENTER** key.

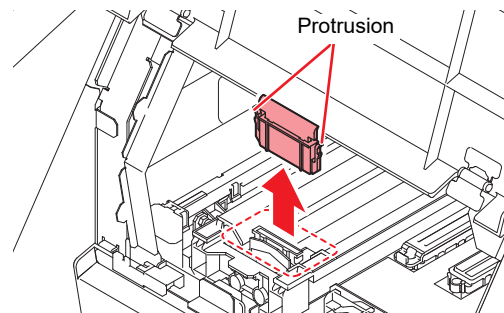
- The carriage moves to the left. Also the wiper moves to the front.

**6** Open the right maintenance cover.



**7** Remove the wiper.

- Pull out the wiper by holding the protrusions at its both ends.

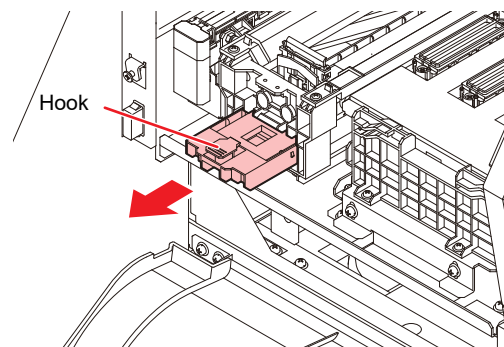


**8** Insert a new wiper (SPA-0271).

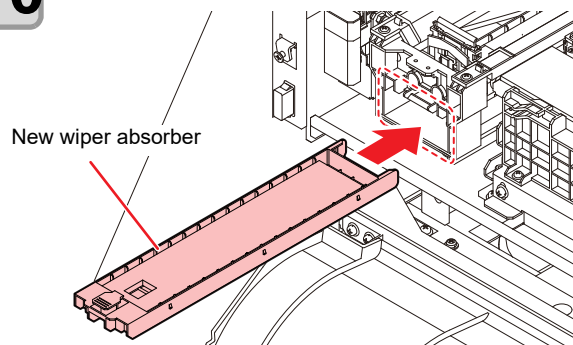
- Insert the wiper by holding the protrusions at its both ends.

**9** Remove the wiper absorber.

- To remove the absorber, push the hook down and pull out the absorber.



**10** Install the new wiper absorber (SPC-0830).



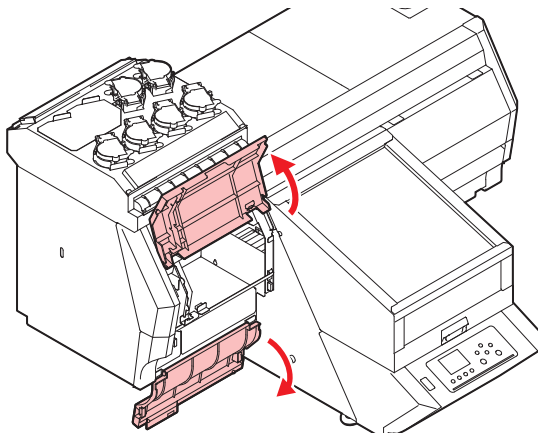
**11** Close the maintenance cover, and press the **ENTER** key.

- After its initial operation, the machine returns to LOCAL.

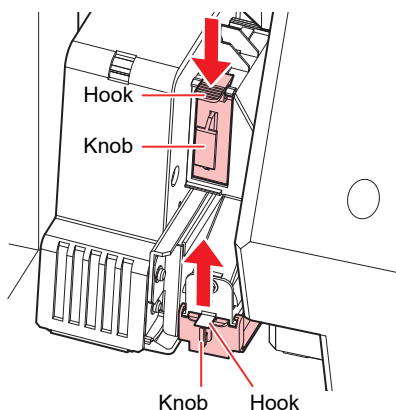


## Replacing the mist filter

- 1 Press the **FUNC1** (MENU) in LOCAL mode.
- 2 Press **▲****▼** to select "MAINTENANCE", and press the **ENTER** key.
  - MAINTENANCE MENU will be displayed.
- 3 Press the **ENTER** key.
  - "STATION" will be selected.
- 4 Press the **ENTER** key.
  - "CARRIGE OUT" will be selected and the carriage will move.
- 5 Open the left maintenance cover.



- 6 Remove the mist filter.
  - Mist filters are located in two places.
  - To remove the mist filter, pull the knob to the front while pushing the hook in the direction indicated by the arrow.



- 7 Replace with a new filter (SPC-0819).
- 8 Insert the mist filter.

- 9 Close the maintenance cover, and press the **ENTER** key.
  - After its initial operation, the machine returns to LOCAL.

## If a Waste Ink Tank Confirmation Message Appears

Ink used in head cleaning, etc. is stored in the waste ink tank on the lower right side of the machine. This machine counts the accumulated amount of discharged ink. When that reaches a specified amount, the machine displays a confirmation message. Use it as a guide for replacing the waste ink tank.



- The message is displayed when it reaches 80% (1.3L) of the 1.6L tank (SPA-0173).

## Confirmation Message in LOCAL mode

- 1 The warning message "Check waste ink" is displayed.
  - 2 Empty the waste ink tank according to "Discard waste ink" (P.4-20).
    - When it is different from the actual amount, press **▲**/**▼** and correct.
- Important!**
- Check the waste ink level in the waste ink tank frequently. Continuing to use the product without disposing of the waste ink may result in waste ink overflowing from the waste ink tank.

## Discard waste ink

When the warning message "Check waste ink" is displayed on the display, please discard waste ink according to the following procedure.

**1** Press **FUNC1** (MENU) in the local mode

**2** Press **▲ ▼** to select "Maintenance", then press the **ENTER** key

- Maintenance menu is displayed.

**3** Press the **ENTER** key.

- "STATION" will be selected.

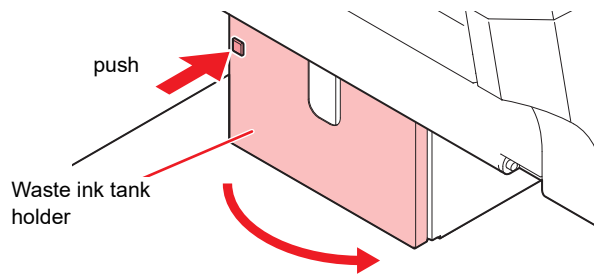
**4** Press **▲ ▼** to select "WASTE TANK", then press the **ENTER** key.

- "WASTE TANK" will be selected.

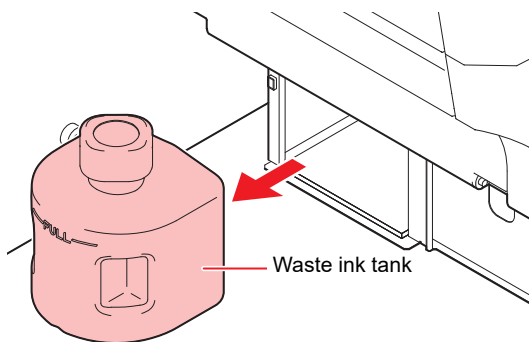
**5** Remove the waste ink tank.

(1) Press the protrusion on the waste ink tank box.

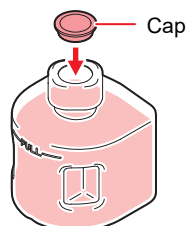
- The magnet is released and the door open.



(2) By holding the waste ink tank, pull the tank to remove.

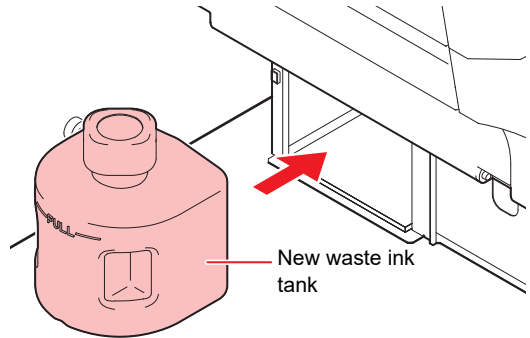


- Put a cap on the waste ink tank removed.



**6** Replace the waste ink tank.

- (1) Prepare a new waste ink tank (SPA-0173).
- (2) Insert the waste ink tank by holding a handle of the tank.



- Waste ink is equivalent to waste oil of industrial waste. Request an industrial waste disposal company for disposal of waste ink.

**7** Press the **ENTER** key.

- The ink discharging amount that is controlled by the machine is reset and the message is cancelled.

### Replacing the waste ink tank before the waste ink tank confirmation message is displayed

To replace the waste ink tank before the waste ink tank confirmation message appears (before the amount of waste ink reaches 80% (1.3L) of 1.6L), use the same procedure as in the previous section.

**1** Perform steps in "Discard waste ink" (☞ P.4-20) to empty the waste ink tank.

## If Check Wiper Waste Inktank Warning Appears

Ink sucked up by wiping during head cleaning and other processes is collected in the wiper waste ink tank at the rear right of the machine.

This machine keeps track of total waste ink levels from suction wiping and displays a warning prompting the user to check once waste ink levels reach a preset level.

This should be used as a guide for replacing the waste ink tank.



- A message is displayed when levels reach 60% (0.06 L) of the 0.1 L wiper waste ink tank.

### Confirmation Message in LOCAL mode

**1** The warning message "Check wiper waste inktank" is displayed.

**2** Press the **ENTER** key.

**3** Empty the wiper waste ink tank in accordance with "Discard wiper waste ink" (P.4-21).

#### Important!

- If you continue to use this machine without discarding waste ink, waste ink may overflow from the waste ink tank.
- Continuing to use the machine without disposing of the wiper waste ink may damage the suction wiper pump.

## Discard wiper waste ink.

If the "Check wiper waste inktank" warning appears on the local display, discard the waste ink as follows:

**1** Press **FUNC1** (MENU) in the local mode

**2** Press **▲** **▼** to select "Maintenance", then press the **ENTER** key

- Maintenance menu is displayed.

**3** Press the **ENTER** key.

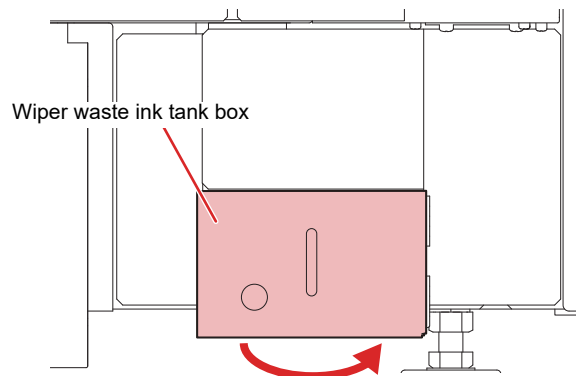
- "STATION" will be selected.

**4** Press **▲** **▼** to select "REPLACE WIPER WASTETANK", then press the **ENTER** key.

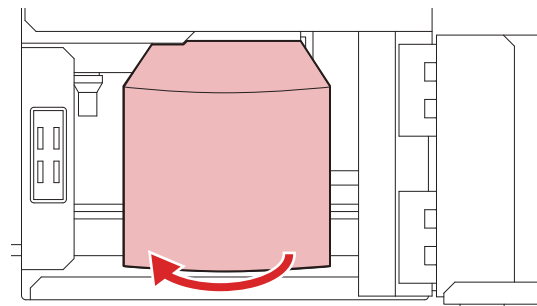
- "REPLACE WIPER WASTETANK" will be selected.

**5** Remove the wiper waste ink tank.

(1) Open the door of the wiper waste ink tank box.



(2) Hold the waste ink tank and slowly rotate clockwise to remove the bottle. Be careful to avoid spilling the ink.



**6** Empty the wiper waste ink tank.

**7** Return the wiper waste ink tank to its location in the waste ink tank box.

#### Important!

- If the rubber seal was removed along with the wiper waste ink tank, be sure to refit the rubber seal.



- Assign waste ink disposal to an industrial waste disposal contractor.

8

Press the **ENTER** key.

- The wiper waste ink tank counter managed by the machine is reset, and the warning is cleared.

### Replacing the waste ink tank before the “Check wiper waste inktank” warning is displayed

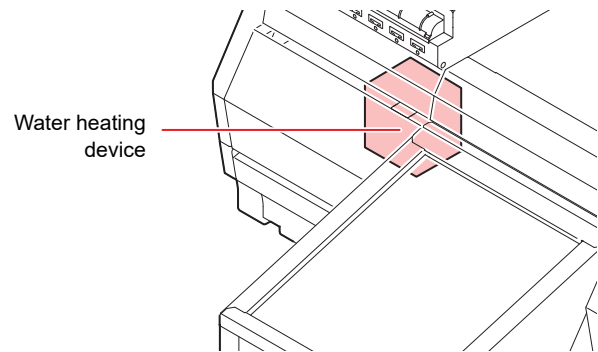
To replace the wiper waste ink tank before the “Check wiper waste inktank” warning appears (before the amount of waste ink reaches 60% (0.06 L) of the 0.1 L tank), take the same steps specified for P.4 21 “If Check Wiper Waste Inktank Warning Appears”.

1

Perform the steps in “Discard wiper waste ink” (☞ P.4-21) to empty the wiper waste ink tank.

## Supplying antifreeze liquid

Refill the hot-water circulation tank in the head with antifreeze mixed liquid.



### Note on refill



- When only water is supplied to the cooling water tank without antifreeze liquid, the water heating unit or head may be damaged due to freezing.
- When only antifreeze liquid is supplied to the cooling water tank without water, the machine does not work properly, and may cause an error.
- If water in the cooling water tank frequently becomes insufficient, contact your local distributor, our sales office, or service center.
- Dispose of the waste water mixed with antifreeze liquid pursuant to the regulations of your district.



### Note on antifreeze mixed liquid



**To make mixed liquid, be sure to use the potable water meeting one of the following conditions:**

- Calcium content: 1 mg/100 ml (10 mg/L) or less
- Hardness : 60 mg/L or less
- Distilled water (Purified water)
- Water and antifreeze liquid compound ratio should be 2(water) to 1(Antifreeze liquid). Or use our specialized antifreeze mixed liquid (SPC-0783).
- Use it within one week when you make mixed liquid. The mixed liquid that one week or more passed after it makes it is never used for this machine regardless of use/unused. Moreover, do not add to the mixed liquid newly made.

## ● Precautions in handling the antifreeze liquid



- Be sure to wear the included safety glasses and gloves for handling the antifreeze liquid.



- Use the recommended antifreeze liquid (SPC-0394) by Mimaki. If not, the cooling device may be broken. (Supplied antifreeze liquid : 1000cc x 2 bottles)
- Do not touch the antifreeze liquid directly. If the antifreeze liquid settles on your skin or clothes, immediately wash it off with soap and water. If you get antifreeze liquid in your eyes, immediately wash your eyes with a lot of clean water. Then, consult a doctor as soon as possible.
- Store antifreeze liquid in a dark and cold place.
- Store antifreeze liquid in a place that is out of the reach of children.
- When discarding antifreeze liquid which is no longer needed, entrust them to an industrial waste disposal contractor, clarifying their contents.
- Before using antifreeze liquid, be sure to read the Safety Data Sheet (SDS).



- Prepare a tank with a cap to put in the waste water from cooling water tank.
- When water in the cooling water tank is low, a warning message "WATER LACK" is displayed. In this case, refill antifreeze water in the way shown as the next page.

## Supplying antifreeze liquid

If an error of lack of water occurs, supply antifreeze liquid.

**1** Press the **FUNC1** (MENU) in LOCAL mode.

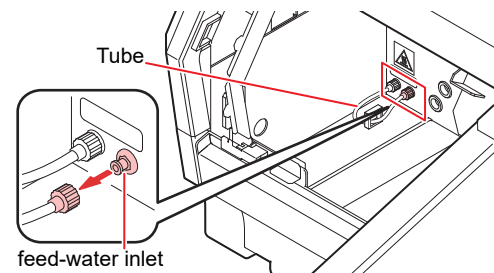
**2** Press **▲ ▼** to select "Maintenance", and press the **ENTER** key.  
• MAINTENANCE MENU will be displayed.

**3** Press **▲ ▼** to select "Water FillUp", and press the **ENTER** key.

**4** Press the **ENTER** key.  
• Water flow stops.

**5** Open the left maintenance cover.

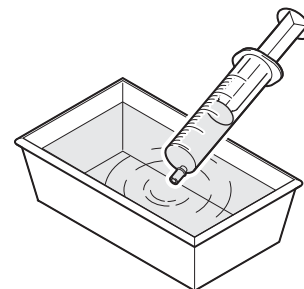
**6** Disconnect the right end of the tube connected to the feed-water inlet.  
• Indicated with "IN" label.



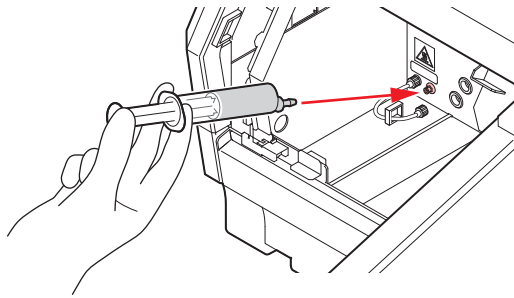
**Important!**

- Pay attention while handling the tube as antifreeze liquid flowing in it is hot.
- Make sure that water flow has stopped in Step 2.

**7** Made mixed liquid (antifreeze liquid: 1, water: 2) in the attached reservoir and move it to the attached syringe.



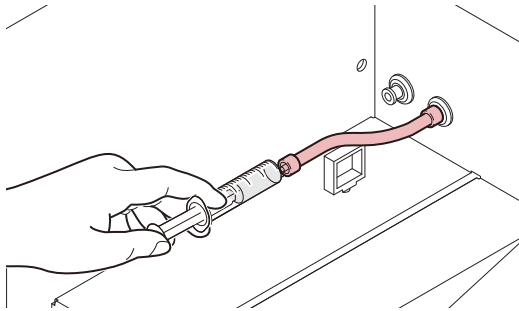
**8** Refill antifreeze mixed liquid.



- Inject the antifreeze mixed liquid, which is prepared in Step 5, from the feed-water inlet.
- Inject water slowly until the buzzer sounds.

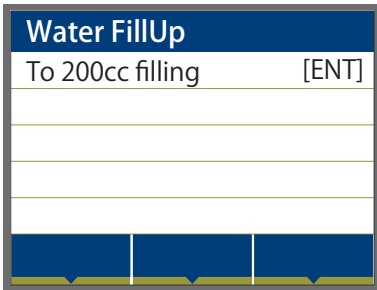


- If using a 100 cc syringe, use the tube detached in Step 6.



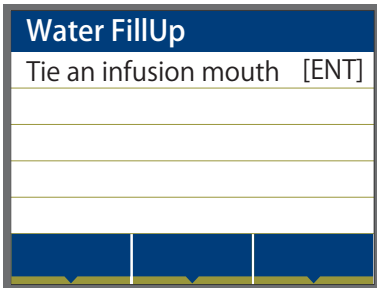
**9** When the buzzer sounds, stop refilling and, press the **ENTER** key.

- "To 200cc filling" will be displayed.

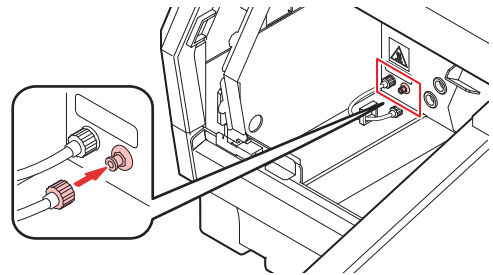


**10** Supply 200cc of the liquid.

- "Tie an infusion mouth" will be displayed.



**11** Connect the tube to the feed-water inlet.



**12** Press the **ENTER** key.



- If press the [Enter] key without connecting the tube to the feed-water inlet, the mixed liquid will be overflowing.

# Chapter 5

## Troubleshooting



### This chapter

describes the corrective measures to be taken for a phenomenon suspected to be trouble and the procedures to clear the error number displayed on the LCD.

Troubleshooting .....	5-2	Warning / Error Messages .....	5-4
Power does not turn on .....	5-2	Warning messages .....	5-4
The machine does not start printing .....	5-2	Error messages .....	5-6
Image quality is poor .....	5-2		
Nozzle is clogged .....	5-3		
Ink bottle warning appears .....	5-3		
When the ink leakage occurs .....	5-3		

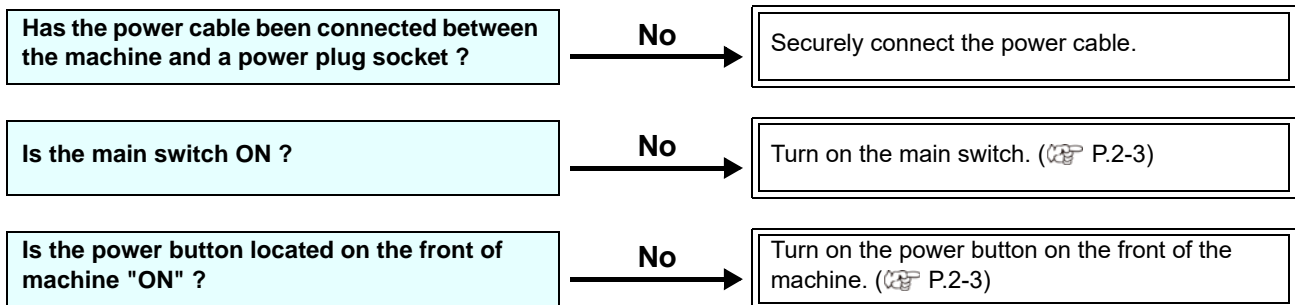
# Troubleshooting

Take appropriate actions as described below before taking the trouble as a failure.

If still the problem is not solved after troubleshooting, contact your local distributor, our sales office, or service center.

## Power does not turn on

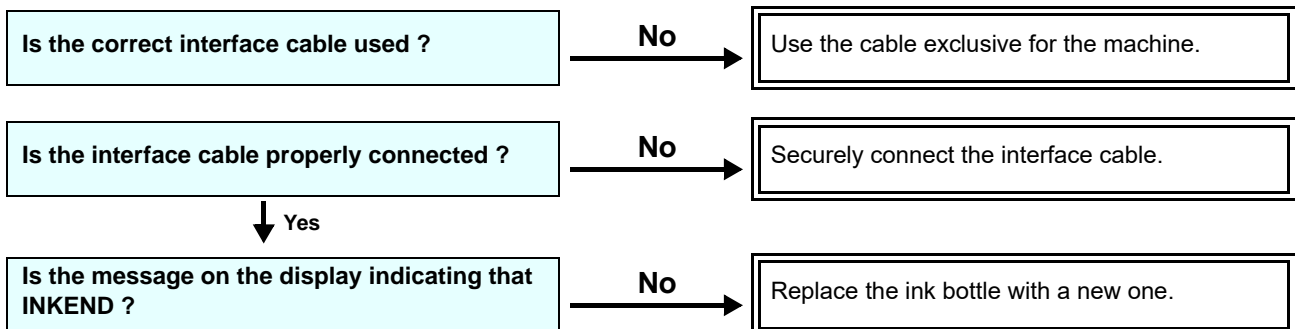
In most cases, this is due to improper connection of the power cable for the machine or computer. Check that the power cable is connected properly.



## The machine does not start printing

This occurs when the data is not being transmitted to the machine properly.

It can also occur when the printing function does not work properly or the media is not set correctly.



## Image quality is poor

This section describes the corrective actions to be taken in case the image quality is not satisfactory.

Take remedy for particular problems with image quality. If the remedy does not work, contact your local distributor, our sales office, or service center.

Phenomenon	Measures
<b>White lines / blur / dark stripes (in the direction of travel of the heads)</b>	(1) Execute the head cleaning. (P.2-8) (2) Perform maintenance of the inside of the station. (P.4-6) (3) Execute the [FEED COMP.] function. (P.3-12) (4) Execute the head nozzle cleaning. (P.4-9)
<b>Characters are double- or triple-printed in the media feed direction</b>	(1) Execute the [FEED COMP.] function. (P.3-12)
<b>Ink drops falling on media during printing</b>	(1) Execute the wiper cleaning. (P.4-6) (2) Execute the ink cap cleaning. (P.4-6) (3) Clean around the head. (P.4-14) (4) Execute the head cleaning [Normal]. (P.2-8) (5) Set a shorter interval of Interval Wiping operation. (P.3-14) (6) Perform the overflow maintenance. (P.4-16)



### Nozzle is clogged

When nozzle missing is not dissolved even after the head cleaning referring to P.2-8, make sure the following operations.

- Wash the head nozzle by the operations of P.4-9.
- Recovery the nozzle by the operations of P.4-15.

### Ink bottle warning appears

If an ink bottle trouble is detected, a warning message appears.

None of printing, cleaning and all the other operations that use ink is available.

If an abnormality occurs, perform the following procedures:

- Check the ink amount in the ink bottle and if the ink amount is not enough, add ink.

**Important!**

- Once ink tank trouble is displayed, do not leave the ink bottle without replacing it for a long time; otherwise, the machine will lose the nozzle missing prevention function.  
If nozzles are clogged, the machine must be repaired by MIMAKI's service engineer.

### When the ink leakage occurs

In case of ink leakage, please turn off the main power, unplug the power cable and contact your local distributor, our sales office, or service center.

## Warning / Error Messages

If some trouble occurs, the buzzer sounds and the display shows a corresponding error message. Take an appropriate remedy for the displayed error.

### Warning messages

#### Errors when performing operations

Message	Cause	Solution
INVALID OPERATION :MOTOR POWER OFF	The motor is "OFF". (For example, after the cover is opened.)	<ul style="list-style-type: none"> <li>Return to LOCAL and make sure that the initialization operation is completed, and then execute the function.</li> </ul>
INVALID OPERATION INK ERROR	An ink error has occurred.	<ul style="list-style-type: none"> <li>Replace the IC chip with a new one, and then execute the function.</li> </ul>
INVALID OPERATION COVER OPEN	The cover is open or the emergency switch is pressed.	<ul style="list-style-type: none"> <li>Close the cover, and then execute the function.</li> </ul>
INVALID OPERATION DATA REMAIN	Data has been received.	<ul style="list-style-type: none"> <li>Clear the data, and then execute the function.</li> </ul>

#### Ink Errors

Message	Cause	Solution
WRONG INK IC	The IC chip cannot be read normally.	<ul style="list-style-type: none"> <li>Check if the IC chip is inserted properly.</li> <li>Reinsert the IC chip properly.</li> <li>Turn off the power on the machine and turn it on after a while.</li> <li>When displaying again, contact your local distributor, our sales office, or service center.</li> </ul>
INK TYPE	The types of the installed ink bottle and the IC chip are different.	<ul style="list-style-type: none"> <li>Set the correct ink type of IC chip.</li> </ul>
INK COLOR	A wrong color of IC chip is mounted.	<ul style="list-style-type: none"> <li>Set the correct ink color of IC chip.</li> </ul>
NO INK IC	No IC chip (IC chip is not mounted.)	<ul style="list-style-type: none"> <li>Set an IC chip.</li> <li>Check if the IC chip is inserted properly.</li> <li>Turn off the power on the machine and turn it on after a while.</li> <li>When displaying again, contact your local distributor, our sales office, or service center.</li> </ul>
INK END	"INK END" (no ink remains in the bottle)	<ul style="list-style-type: none"> <li>Replace to the new ink bottle.</li> </ul>
INK NEAR END	"INK NEAR END" (very little ink remains in the bottle)	<ul style="list-style-type: none"> <li>The ink will run out shortly. Be careful.</li> </ul>
Expiration	The ink has expired.	<ul style="list-style-type: none"> <li>Replace with new ink or use up as quickly as possible. Printing is possible.</li> </ul>
Expiration:1MONTH	The ink is one month past its expiration date and cannot be used.	<ul style="list-style-type: none"> <li>Replace with new ink or use up as quickly as possible. Printing is possible.</li> </ul>
Expiration:2MONTH	The ink is two months past its expiration date and cannot be used.	<ul style="list-style-type: none"> <li>Replace with new ink. Printing is not possible.</li> </ul>

## Message displayed in LOCAL

Message	Cause	Solution
Can't print/BTL	Multiple ink errors (unusable ink) occur and ink can not be supplied (printed, cleaned, etc.).	<ul style="list-style-type: none"> <li>Replace with a new ink bottle and IC chip.</li> </ul>
Check waste ink	The waste ink tank count has exceeded the specified value.	<ul style="list-style-type: none"> <li>Check the waste ink amount in the waste ink tank.</li> <li>Execute maintenance and waste ink tank replacement, and reset the waste ink amount.</li> </ul>
Replace WIPER	The wiper operation count has exceeded the specified value.	<ul style="list-style-type: none"> <li>Execute maintenance, station maintenance and wiper replacement, and replace the wiper.</li> </ul>
DATA REMAIN	Print data is received in the LOCAL mode.	<ul style="list-style-type: none"> <li>Transfer to the REMOTE mode and execute printing.</li> <li>Or, execute data clear and stop printing.</li> </ul>
NCU CONNECT	The NCU unit is not connected. The nozzle check function cannot be used.	<ul style="list-style-type: none"> <li>Turn off the power on the machine and turn it on after a while.</li> <li>When displaying again, contact your local distributor, our sales office, or service center.</li> </ul>
REPLACE NCU		<ul style="list-style-type: none"> <li>NCU replacement is necessary.</li> <li>Contact your local distributor, our sales office, or service center.</li> </ul>
NCU NZK CHK (HW) Nozzle check OFF	The NCU sensor sensitivity is too low to correctly judge nozzle missing. The nozzle check function cannot be used.	<ul style="list-style-type: none"> <li>Check the nozzle condition. If there is plenty of deflection and/or nozzle missing, clean and restore the affected nozzles.</li> </ul>
NCU NZK CHK (MARK) Nozzle check OFF		
NCU CENTER POS Nozzle check OFF		
NCU FLUSH POS Nozzle check OFF		<ul style="list-style-type: none"> <li>Check the nozzle condition. If there is plenty of deflection and/or nozzle missing, clean and restore the affected nozzles.</li> </ul>
NCU SN ADJUST Nozzle check OFF	Due to an NCU-related error during nozzle check, printing was stopped and the nozzle check function was turned "OFF".	<ul style="list-style-type: none"> <li>Check the nozzle condition. If there is plenty of deflection and/or nozzle missing, clean and restore the affected nozzles.</li> <li>When displaying again, contact your local distributor, our sales office, or service center.</li> </ul>
REPLACE NCU INK PAD	The NCU ink pat is full.	<ul style="list-style-type: none"> <li>It is necessary to replace the NCU ink pad.</li> <li>Contact your local distributor, our sales office, or service center.</li> </ul>
NCU SENSOR LEVEL LOW	The NCU sensor sensitivity is falling.	<ul style="list-style-type: none"> <li>Replacement of the NCU is recommended.</li> <li>Contact your local distributor, our sales office, or service center.</li> </ul>
NCU Sens Adj Err H	Cannot adjust the sensor sensitivity.	
NCU Sens Adj Err L		
Nozzle Missing Print Stopped	Due to nozzle missing determined by nozzle check, printing was stopped.	<ul style="list-style-type: none"> <li>Perform head cleaning(P.2-8) and take measures to resolve nozzle clogging(P.4-9).</li> </ul>
NCU ERROR Nozzle check OFF	Due to an NCU-related error during nozzle check, printing was stopped and the nozzle check function was turned "OFF".	<ul style="list-style-type: none"> <li>Contact your local distributor, our sales office, or service center.</li> </ul>
!Can't PRINT/HEAD ERROR	Print head is defective.	
!CHECK LED UV LEVEL	The irradiation time of the LED UV lamp exceeded the specified time.	

## Error messages

When an error message is displayed, eliminate the error according to the chart below.  
When displaying again, contact your local distributor, our sales office, or service center.

Message	Cause	Solution
ERROR 108 HD CONNECT [12345678]	Abnormal connection of the print head.	<ul style="list-style-type: none"> <li>• Turn off the power on the machine and turn it on after a while.</li> <li>• When displaying again, contact your local distributor, our sales office, or service center.</li> </ul>
ERROR 108 HD THERMIS [12345678]	Abnormal temperature of the print head.	
ERROR 122 CHECK :SDRAM	Main PCB is defective.	
ERROR 128 HDC FIFO OVER	A head control error occurred.	
ERROR 128 HDC FIFO UNDER		
ERROR 129 BATTERY EXCHANGE	The battery life end of the main PCB is detected.	
ERROR 12a HDC SPEED	A head control error occurred.	
ERROR 12e P-HEAD INIT [12345678]	Printhead connection error.	
ERROR 130 HD DATA SEQ	A head control error occurred.	
ERROR 148 E-LOG SEQ	An error occurred in the control log.	
ERROR 151 Main PCB V1R2	An error occurred in the power supply system of the main PCB.	
ERROR 152 Main PCB V2R5		
ERROR 153 Main PCB V3R3		
ERROR 154 Main PCB V05		
ERROR 157 Main PCB VTT		
ERROR 16e Main PCB V3R3B		
ERROR 18a Main PCB V_CORE		
ERROR 18c Main PCB V12		
ERROR 1ce SLIDER PCB V24	An error occurred in the power supply of the slider T PCB.	
ERROR 1cf SLIDER PCB V1R8		
ERROR 1d9 Main PCB V48-1	An error occurred in the main PCB power.	
ERROR 1db Station4 PCB V48	An error occurred in the power supply of station IV PCB.	
ERROR 1dc Station4 PCB V24		
ERROR 1dd Station4 PCB V24-A		

Message	Cause	Solution
ERROR 1de SLIDER PCB V1R2	An error occurred in the power supply of the slider T PCB.	<ul style="list-style-type: none"> <li>• Turn off the power on the machine and turn it on after a while.</li> <li>• When displaying again, contact your local distributor, our sales office, or service center.</li> </ul>
ERROR 1e0 SLIDER PCB V3R3		
ERROR 1e2 SLIDER PCB V48		
ERROR 1e6 PRAM SIZE SHORTAGE	Memory size shortage.	
ERROR 201 COMMAND ERROR	The received data is not print data. Or, an error occurred in the sent print data.	<ul style="list-style-type: none"> <li>• Execute data clear and send data again.</li> <li>• Turn off the power and then on again, and send data again.</li> </ul>
ERROR 202 PARAMETER ERROR	An error occurred in the sent print data.	<ul style="list-style-type: none"> <li>• Check the USB cable connection.</li> <li>• Use a USB cable conforming to the standard.</li> </ul>
ERROR 206 PRINTING MODE	Print data with unprintable conditions was received.	<ul style="list-style-type: none"> <li>• Check the print data output conditions for RIP software.</li> <li>• Check the profile.</li> <li>• When displaying again, contact your local distributor, our sales office, or service center.</li> </ul>
ERROR 304 USB INIT ERR	An error occurred in the USB communication.	<ul style="list-style-type: none"> <li>• Check the USB cable connection.</li> <li>• Reconnect the USB cable.</li> <li>• Turn off the power and then on again, and send data again.</li> <li>• Use a USB cable conforming to the standard.</li> </ul>
ERROR 305 USB TIME OUT		
ERROR 401 MOTOR X	An excessive load was applied to the X motor.	<ul style="list-style-type: none"> <li>• Check whether the media is set properly (whether feeding is performed properly).</li> <li>• Open the cover and check for any matters that hinder the carriage operation.</li> <li>• Turn off the power on the machine and turn it on after a while.</li> <li>• When displaying again, contact your local distributor, our sales office, or service center.</li> </ul>
ERROR 402 MOTOR Y	An excessive load was applied to the Y motor.	
ERROR 403 X CURRENT	An error due to an excessive current of the X motor was detected.	
ERROR 404 Y CURRENT	An error due to an excessive current of the Y motor was detected.	
ERROR 50a Y ORIGIN	Y Origin was not detected correctly.	<ul style="list-style-type: none"> <li>• Turn off the power on the machine and turn it on after a while.</li> <li>• When displaying again, contact your local distributor, our sales office, or service center.</li> </ul>
ERROR 50f L-SCALE BLACK	Abnormal linear scale.	
ERROR 511 Z ORIGIN	Z Origin was not detected correctly.	
ERROR 525 WRONG IONIZER	Either the internal circuit has broken or abnormal discharge occurs.	<ul style="list-style-type: none"> <li>• Please clean the electrode probe referring to the ionizer manual.</li> <li>• If the status cannot be improved, replace the relevant electrode probe.</li> </ul>
ERROR 526 IONIZER ION LEVEL	Due to blot on the electrode probe and wear of it, ion production has decreased. Use this as a guide for time to take care of the electrode probe.	
ERROR 527 IONIZER CONDITION	When the ion is absorbed by the surrounding metal, the instability of installation environment (temperature, humidity, peripheral metals, etc.) affects the performance to remove electricity.	
ERROR 533 X ORIGIN	X Origin was not detected correctly.	<ul style="list-style-type: none"> <li>• Turn off the power on the machine and turn it on after a while.</li> <li>• When displaying again, contact your local distributor, our sales office, or service center.</li> </ul>
ERROR 541 PUMP MOTOR SENSOR	Pump sensor detection error	

Message	Cause	Solution
ERROR 602 INK BOTTLE END	"INK END" (Usage prohibited, Available only during cleaning with a 4-color ink set.)	<ul style="list-style-type: none"> <li>• Replace to the new ink bottle.</li> <li>• In this case, please replace the ink IC with a new one which comes with a bottle.</li> </ul>
ERROR 608 WRONG INK IC	The IC chip cannot be read properly.	<ul style="list-style-type: none"> <li>• Check if the IC chip is inserted properly.</li> <li>• Reinsert the IC chip properly.</li> <li>• Turn off the power on the machine and turn it on after a while.</li> <li>• When displaying again, contact your local distributor, our sales office, or service center.</li> </ul>
ERROR 61A InkOverFlow :cmYCMKWW	The sub tank float sensor detected "Limit".	<ul style="list-style-type: none"> <li>• Execute "Maintenance" and "Overflow maintenance".</li> <li>• When displaying again, contact your local distributor, our sales office, or service center.</li> </ul>
ERROR 61B SUPPLY INK :cmYCMKWW	Ink supply to the sub tank failed.	<ul style="list-style-type: none"> <li>• Turn off the power on the machine and turn it on after a while.</li> <li>• When displaying again, contact your local distributor, our sales office, or service center.</li> </ul>
ERROR 61D NEGATIVE P.NotEnough	The negative pressure cannot be kept properly. (On the positive side)	
ERROR 61E NEGATIVE P.OVER	The negative pressure cannot be kept properly. (On the negative side)	
ERROR 620 POSITIVE P.NotEnough	The positive pressure cannot be kept properly. (On the negative side)	
ERROR 621 POSITIVE P.OVER	The positive pressure cannot be kept properly. (On the positive side)	
ERROR 650 NCU CONECT	The NCU unit is not connected. The nozzle check function cannot be used.	
ERROR 651 REPLACE NCU	The NCU sensor sensitivity is too low to correctly judge nozzle missing. The nozzle check function cannot be used.	
ERROR 652 NCU NZK CHK (HW)	NCU does not recognize ink discharge properly due to frequent nozzle missing and/or deflection.	<ul style="list-style-type: none"> <li>• NCU replacement is necessary.</li> <li>• Contact your local distributor, our sales office, or service center.</li> </ul>
ERROR 653 NCU NZK CHK (MARK)	The discharge patterns of the NCU are analyzed and abnormal discharge is identified that does not meet the pattern criteria.	
ERROR 654 NCU CENTER POS	Detecting the center position of the NCU failed.	
ERROR 655 NCU FLUSH POS		
ERROR 656 NCU SN ADJST	Sensor sensitivity adjustment has failed.	<ul style="list-style-type: none"> <li>• Check the nozzle condition. If there is plenty of deflection and/or nozzle missing, clean and restore the affected nozzles.</li> <li>• When displaying again, contact your local distributor, our sales office, or service center.</li> </ul>
ERROR 657 REPLACE NCU INK PAD	The NCU ink pat is full.	<ul style="list-style-type: none"> <li>• It is necessary to replace the NCU ink pad.</li> <li>• Contact your local distributor, our sales office, or service center.</li> </ul>

Message	Cause	Solution
ERROR 658 NCU SENSOR LV LOW	The NCU sensor sensitivity is falling.	<ul style="list-style-type: none"> <li>• Replacement of the NCU is recommended.</li> <li>• Contact your local distributor, our sales office, or service center.</li> </ul>
ERROR 65b NCU Sens Adj Err H	Cannot adjust the sensor sensitivity.	
ERROR 65c NCU Sens Adj Err L		
ERROR 71F HD THERM BRK	The temperature of the head thermistor cannot be read correctly.	<ul style="list-style-type: none"> <li>• Turn off the power on the machine and turn it on after a while.</li> <li>• When displaying again, contact your local distributor, our sales office, or service center.</li> </ul>
ERROR 722 WATER TANK ROUTE1	The hot water pump failed or hot water leaked.	
ERROR 723 WATER TANK ROUTE2		
ERROR 726 WATER HEATER TEMP L	The water heater failed.	<ul style="list-style-type: none"> <li>• Please make sure the voltage switch SW on the side of the device is correct.</li> <li>• Turn off the power on the machine and turn it on after a while.</li> <li>• When displaying again, contact your local distributor, our sales office, or service center.</li> </ul>
ERROR 728 IHEATER THERM BRK	The water heater thermistor failed.	
ERROR 729 HHEATER HIGH TEMP	The heater temperature exceeded the high-temperature threshold.	
ERROR 72B WATER HEATER LACK	Water shortage in the hot water tank.	<ul style="list-style-type: none"> <li>• Please execute the [MAINTENANCE] - [Water FillUp].</li> <li>• Turn off the power on the machine and turn it on after a while.</li> <li>• When displaying again, contact your local distributor, our sales office, or service center.</li> </ul>
ERROR 72C WATER PUMP	The hot water pump failed or hot water leaked.	
ERROR 901 INVALID OPERATION	The function cannot be executed due to some error.	
ERROR 902 DATA REMAIN	The executed operation cannot be performed with print data received.	<ul style="list-style-type: none"> <li>• Close the cover before executing the function.</li> <li>• Detect the media before executing the function.</li> <li>• Remove the ink error before executing the function.</li> <li>• Execute data clear before executing the operation.</li> <li>• Turn off the power on the machine and turn it on after a while.</li> <li>• When displaying again, contact your local distributor, our sales office, or service center.</li> </ul>
ERROR 90d NO HEAD SELECT	An error occurred in the mounting head.	
ERROR 04 PARAM ROM	An error occurred in the main PCB.	

## SYSTEM HALT

Message	Solution
SYSTEM HALT (*) 000 :MESSAGE	<ul style="list-style-type: none"> <li>• Turn off the power on the machine and turn it on after a while.</li> <li>• Check the number and contact your local distributor to call for service. ("000" is the error No.)</li> </ul>





# Chapter 6

## Appendix



**This chapter**

contains the lists of the specifications and functions of this machine.

Specifications.....	6-2	Setting orders of ink bottles.....	6-5
Machine specifications .....	6-2	Sheet for inquiry .....	6-6
Ink specifications.....	6-4		

# Specifications

## Machine specifications

Item		UJF-3042MkII	UJF-3042MkII EX	UJF-6042MkII
Print head	Method	Drop-on-demand piezoelectric print heads		
	Specification	3 head, 6 nozzles	4 head, 8 nozzles	
Resolution		x-dpi: 600, 900, 1200 y-dpi: 600, 1200		
Drawing mode	600 x 600	8, 10 pass		
	600 x 900	12, 16 pass		
	1200x1200	12, 16 pass		
Usable inks		Exclusive UV curing ink (Genuine ink) LH-100, LUS120, LUS150, PR-200 Bk, C, M, Y, W, Pr(PR-200 only), CL, Lc, Lm(Lc and Lm is UJF-3042MkII EX/UJF-6042MkII only.)		
Ink supply		6 bottles	8 bottles	
Usable media	Size	300 x 420mm (11.8 x 16.5 in)		610 x 420mm (24.0 x 16.5 in)
	Thickness	(1) + (2) = 153 mm or less (1) Movable area 53 mm (2.09 in) (2) 50 mm (1.97 in) spacer x 2 levels = 100 mm (3.94 in)		
	Weight	5kg or less (11.0 lb or less)		8kg or less (17.6 lb or less)
Max. printing area		300 x 420mm (11.8 x 16.5 in)		610 x 420mm (24.0 x 16.5 in)
Distance accuracy	Absolute accuracy	Whichever the larger one of $\pm 0.3$ mm ( $\pm 0.01$ in) or $\pm 0.3$ % of the designated		
	Reproducibility	Whichever the larger one of $\pm 0.2$ mm ( $\pm 0.008$ in) or $\pm 0.1$ % of the designated		
Perpendicularity		$\pm 0.3$ mm / 400mm ( $\pm 0.01$ in / 15.7 in)		
Print gap adjustment		Table up / down mechanism by key		
Head anticollision device		Head anticollision by obstacle sensor		
UV unit		Air-cooling LED UV device x 1 (equipped with the head slider)		
Waste ink tank		Bottle type ( 1600 cc)		
Interface		USB 2.0 (Ethernet 10 BASE/ 100 BASE/ 1000 BASE E-mail function, only "1000 BASE" connection is applicable for drawing.)		
Command		MRL- V		
Noise	during standby	Less than 55 dB (A) (FAST-A, Front & Rear & Left & Right 1 m)		
	during continuous printing	Less than 70 dB (A)		
Safety Standard		VCCI-Class A, FCC-Class A, UL 60950-1, CE Marking (EMC, Low Voltage Directive, Machinery Directive, RoHS Directive), CB Report, RoHS, Reach, EnergyStar, IEC60825-1		
Power		Single phase AC100 - 240 V $\pm 10\%$ 50 / 60 Hz $\pm 1$ Hz		
Power consumption		1000 W or less		
Recommended Environment	Available temp.	20 °C to 30 °C ( 68 °F to 86 °F )		
	Humidity	35 to 65% Rh (No condensation)		
	Guaranteed temp.	20 °C to 25 °C ( 68 °F to 77 °F )		
	Temperature change	$\pm 10$ °C / h or less ( $\pm 50$ °F / h or less )		
	Dust	Equivalent to normal office level		
	Highest operation height	2000 m ( 78.7 in )		
Weight*1		135 kg (170 kg) (297.6 lb (374.8 lb))		150 kg (185 kg) (330.7 lb (407.9 lb))

	Item	UJF-3042MkII	UJF-3042MkII EX	UJF-6042MkII
Outside dimensions	Width	1355 mm ( 53.3 in )		1665 mm ( 65.6 in )
	Depth	1290 mm ( 50.8 in )		
	Height	856 mm ( 33.7 in ) (Not including the dedicated stand and the bottle.)		

\*1. Figures in the ( ) include the dedicated stand.

## Ink specifications

Item		Specifications
Supply		1L Ink bottle / 250 ml Ink
Color		Black ink Cyan ink Magenta ink Yellow ink White ink Clear ink Primer ink (PR-200) Light Cyan ink (UJF-3042 MkII EX/UJF-6042MkII Only) Light Magenta ink (UJF-3042 MkII EX/UJF-6042MkII Only)
Ink capacity		1 L / 250 ml
Shelf life		The period is printed on the ink bottle. Within three months after opening the package even in the available period.
Storage temperature	Storage	5 to 30°C ( 41 to 86 °F ) (Storage at temperature of 30°C(86°F) is permitted within a month.) • Be sure to keep a vessel in the airtight condition. • Be sure to keep a vessel in a dry, well-ventilated, cool and dark location.
	Transportation	1 to 60°C ( 33.8 to 140 °F ) (Storage at temperature of 60°C(140°F) is only permitted within 120 hours, and at temperature of 40°C(104°F) is permitted within a month.) • Avoid the condition lower than -0 °C(32°F) and higher than 40 °C(104°F).

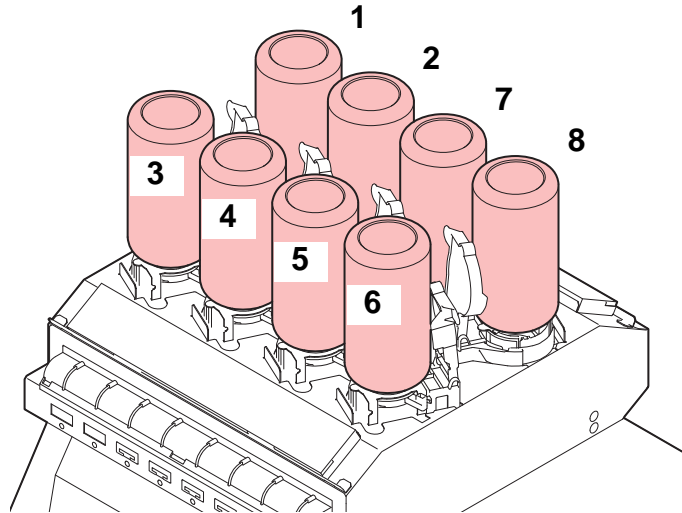
**Important!**

- Do not disassemble ink bottles and do not refill them with ink.
- Ink could freeze if kept in a cold place for an extended period.  
If the ink freezes, thaw it at room temperature (25°C / 77°F) spending more than three hours before use.  
However, when you use the frozen ink, the printing quality becomes degraded due to altered ink. Store ink in the environment where ink may not freeze.

# Setting orders of ink bottles



- The order of the ink bottles that are set differs depending on the ink set that is used.



- UJF-3042MkII EX/UJF-6042MkII

Ink set	Ink arrangement							
	1	2	3	4	5	6	7	8
6 -color + White + White	LC	LM	Y	C	M	K	W	W
6 -color + White + Primer	LC	LM	Y	C	M	K	W	Pr
6 -color + Whiter + Clear	LC	LM	Y	C	M	K	W	CL
6 -color + Clear + Primer	LC	LM	Y	C	M	K	CL	Pr
4-color + Primer + Clear + White + White	Pr	CL	Y	C	M	K	W	W

- UJF-3042MkII

Ink set	Ink arrangement							
	1	2	3	4	5	6	7	8
4 -color + White + White	-	-	Y	C	M	K	W	W
4 -color + White + Primer	-	-	Y	C	M	K	W	Pr
4 -color + Whiter + Clear	-	-	Y	C	M	K	W	CL
4 -color + Clear + Primer	-	-	Y	C	M	K	CL	Pr

# Sheet for inquiry

Use this sheet for troubles and abnormal functions of the machine.  
Fill in the following necessary items, and then fax the sheet to our sales office.

<b>Company name</b>	
<b>Person in charge</b>	
<b>Telephone number</b>	
<b>machine model</b>	
<b>Operating OS</b>	
<b>Machine information *1</b>	
<b>Error message</b>	
<b>Contents of inquiry</b>	

\*1. Refer to "Confirming Machine information" of "Convenient using" then fill in necessary information. (P.3-32)

# **UJF-3042MkII Series/UJF-6042MkII Series Operation Manual**

---

---

July, 2020

MIMAKI ENGINEERING CO.,LTD.

2182-3 Shigeno-otsu, Tomi-shi, Nagano 389-0512 JAPAN

---

---

D203043-20-15072020

